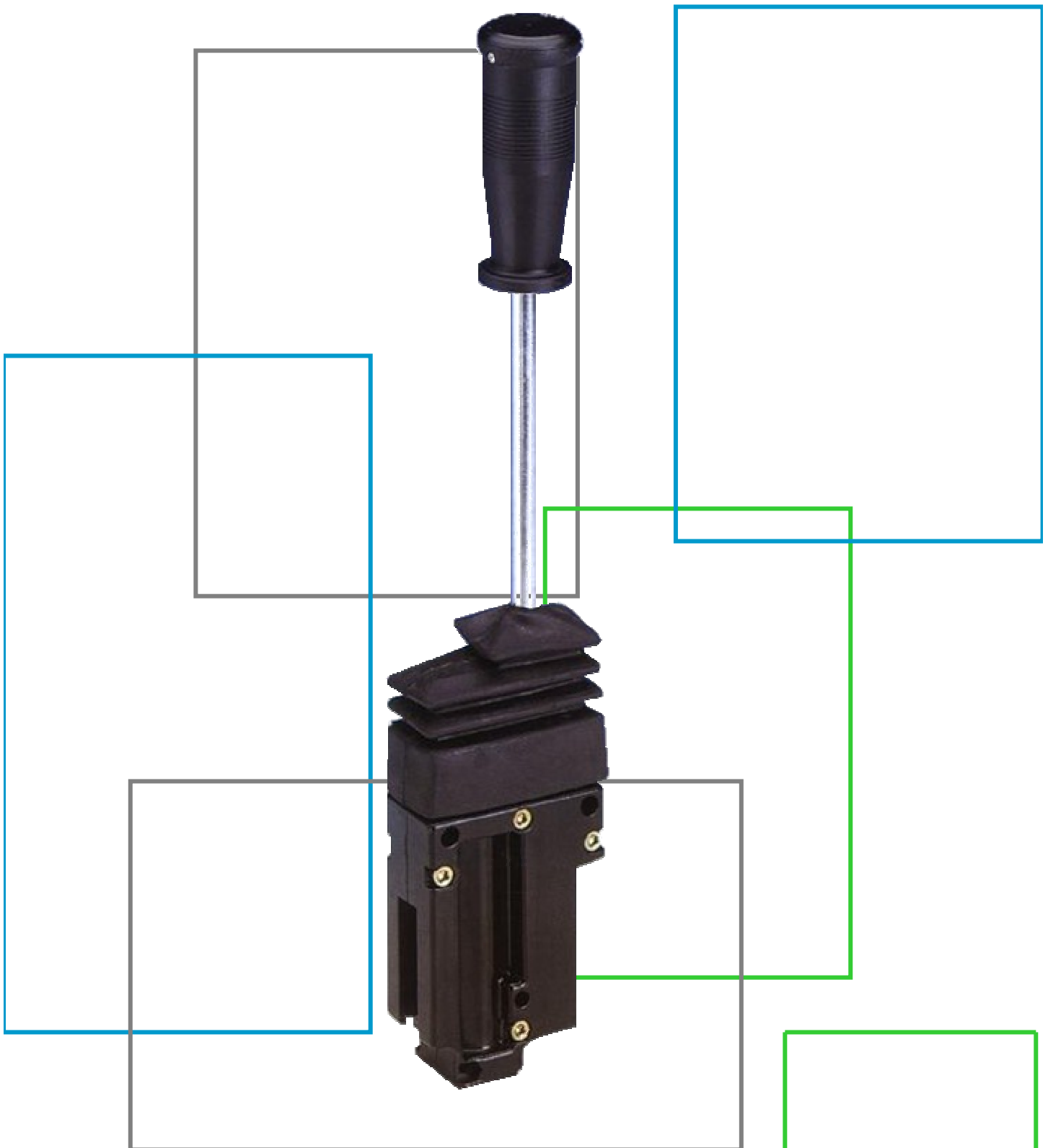


# CONTROLS

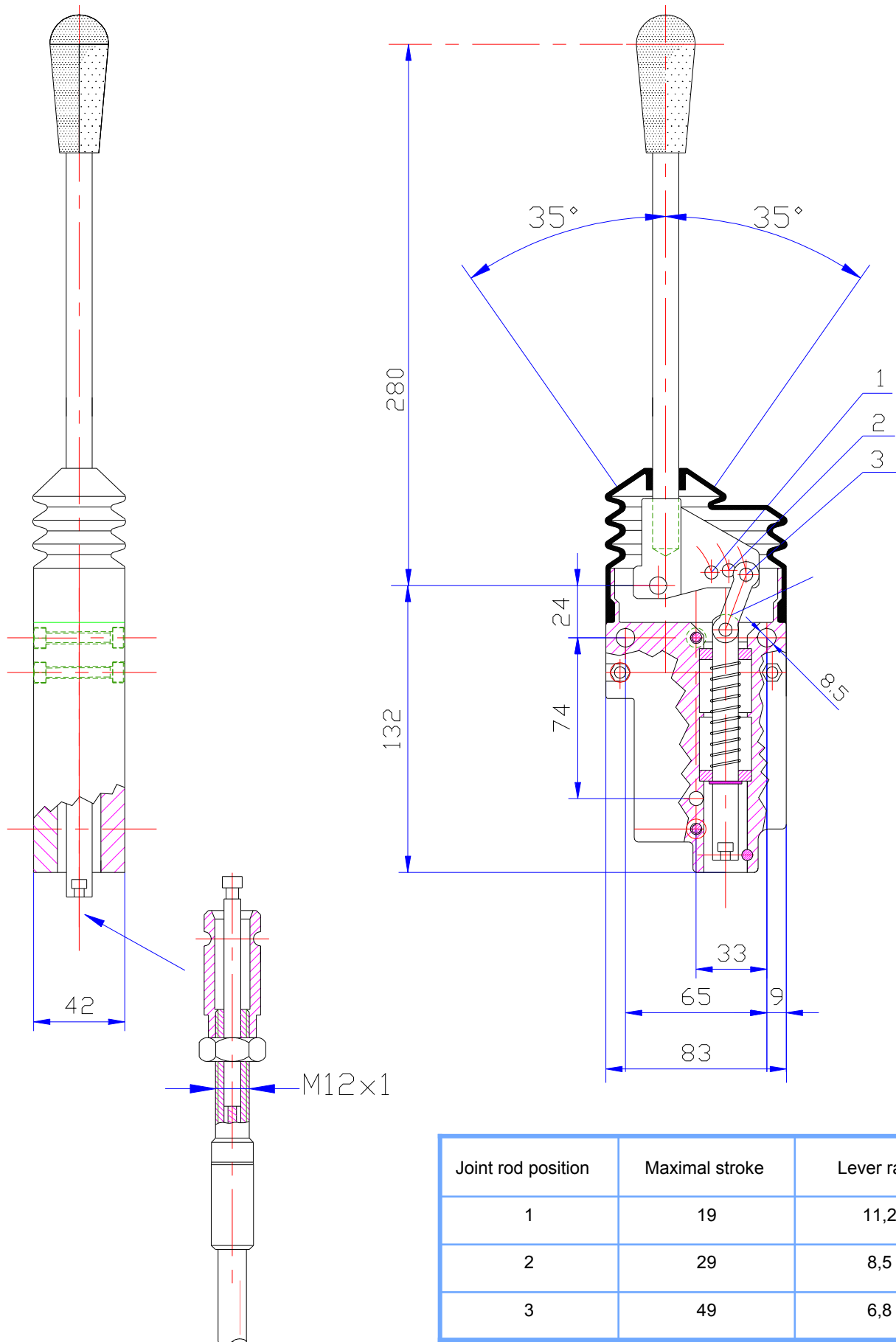
## CONTROL LEVER FOR HYDRAULIC DISTRIBUTORS

*SERIE 1000*



# CONTROLS

## Technical features



# CONTROLS

## Order code

1 0 0 0 - \* \* \* \*

### Type

1. Straight L=230mm d=12mm.
2. Bent lever at 90° d=12mm.
3. Tube=14mm.

### Stroke

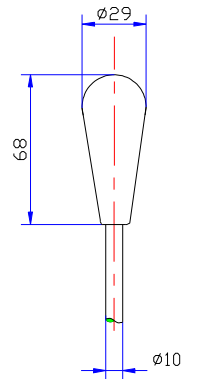
1. 19mm.
2. 29mm.
3. 49mm.

### CABLE CONNECTION

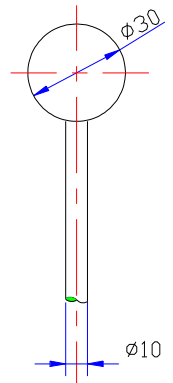
1. Quick connection
2. Twist connection
3. Connection with thread M6

### Knob type

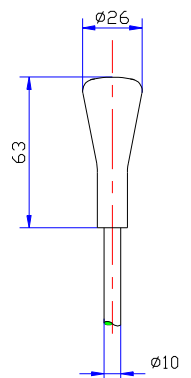
3. Ogival
4. Spherical D=30.
5. Conical.



Cod.: N-1002.10.N  
HALF-ROUND KNOB



Cod.: N-S.30N.10  
ROUND KNOB



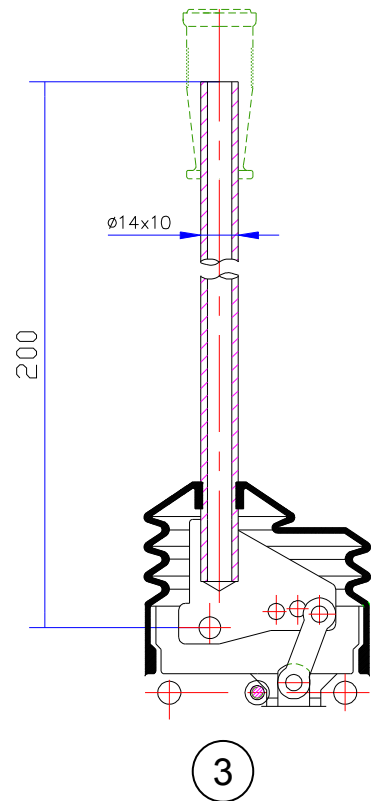
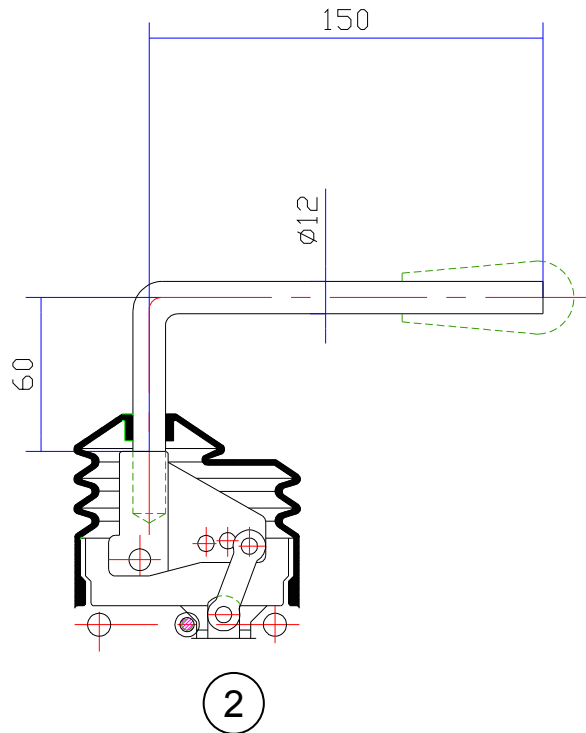
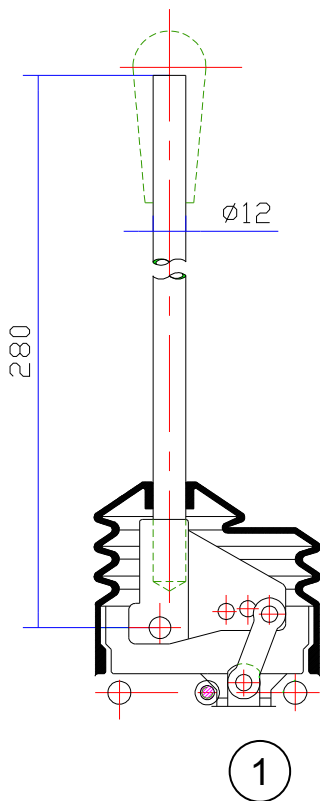
Cod.: D-1127.10.00.00  
STANDARD KNOB  
(Standard version)

For more info about different configurations of control lever series 1000, please look into following page

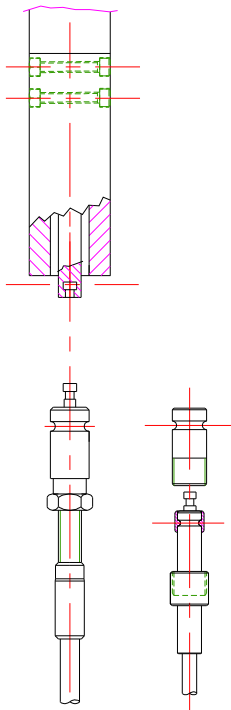
# CONTROLS

Order code

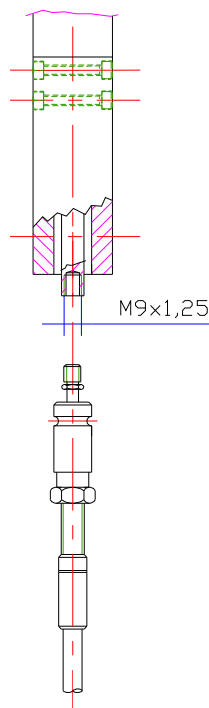
## LEVER TYPES



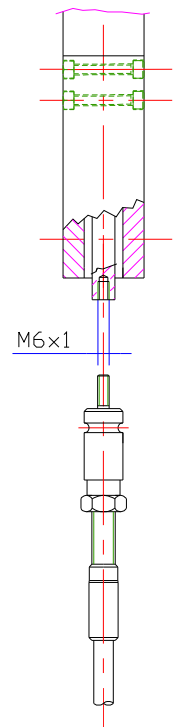
## CABLE CONNECTIONS



Quick connect



Twist connect



Threaded connection