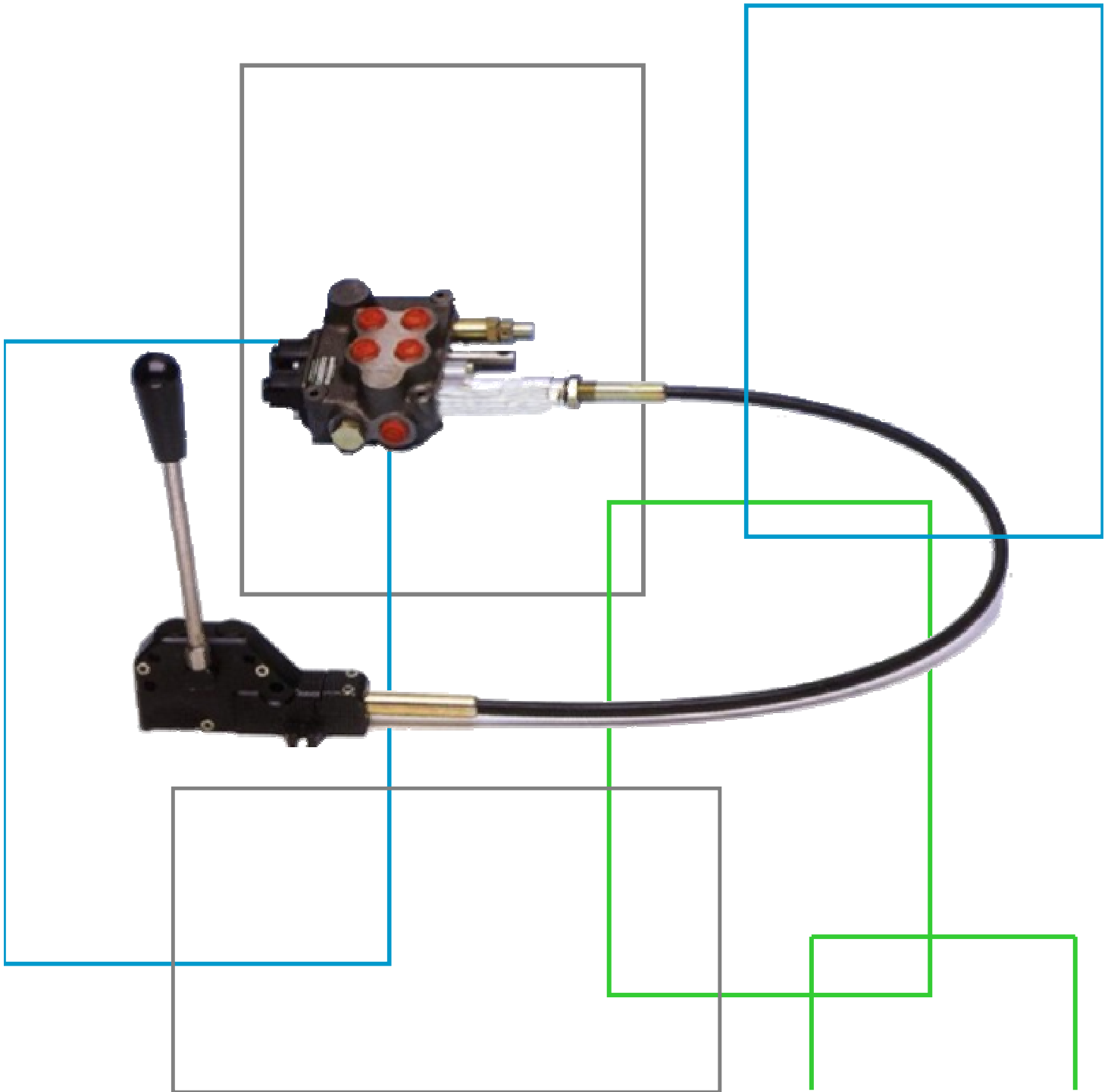


CONTROLS

CONTROL LEVER FOR HYDRAULIC DISTRIBUTORS

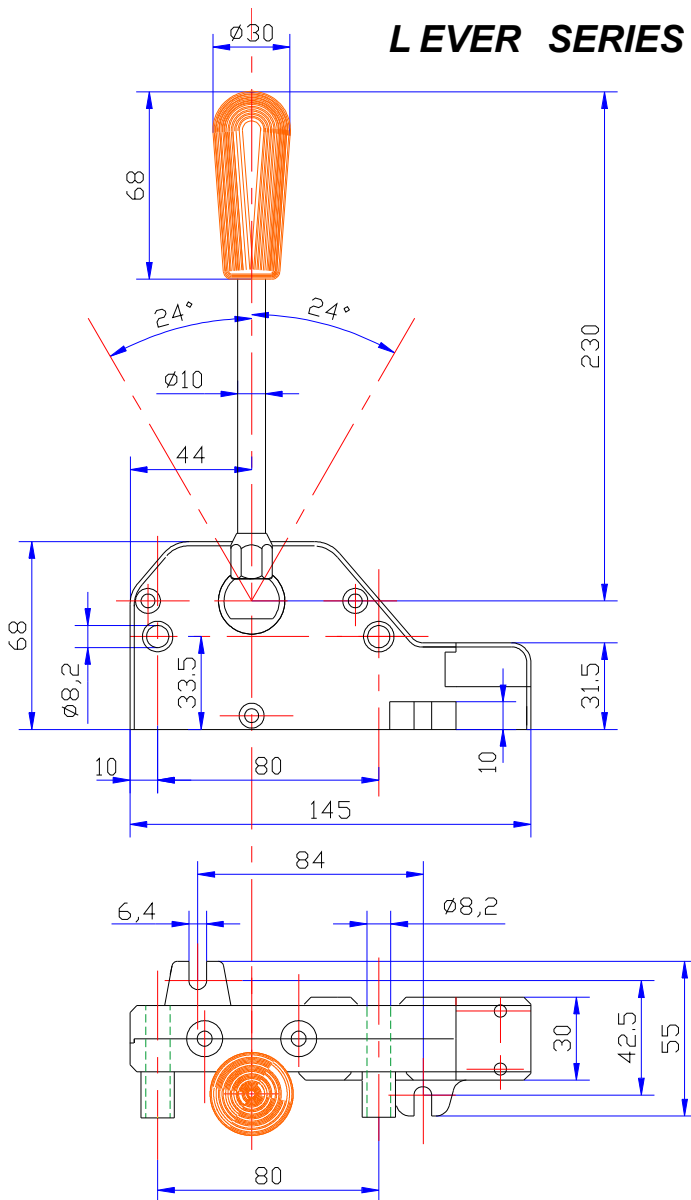
SERIE 1500



CONTROLS

Technical features

LEVER SERIES 1500 STANDARD



Standard version	
Stroke	16 +16 (mm)
Work load	45 kg
Lever length	230 mm
Body finishing	Sand
Lever ratio	12.1

Standard version of lever series 1500, could be fitting With:

- adjustable end-stroke;
- Kit for anti-reverse,
- Locking lever kit.

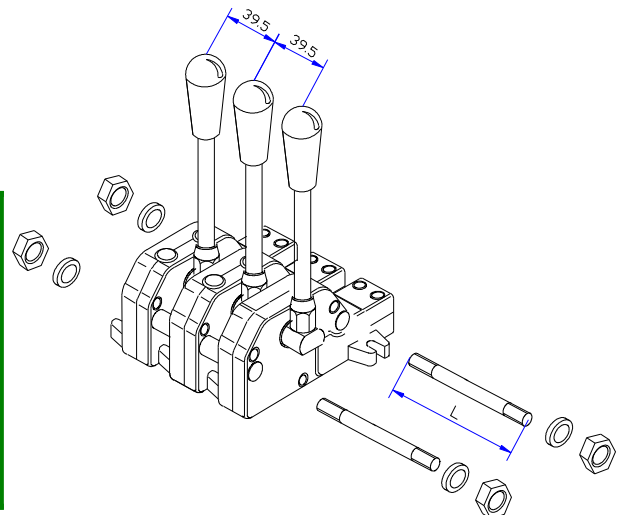
Furthermore, lever type 1500 could have a customize lever length and could be fitted with different kind of knobs

LEVER SERIES 1500 MODULAR VERSION

Control levers series 1500 could be mounted side by side in order to have the modular version, using connecting rods.

Codes for connecting rods kit

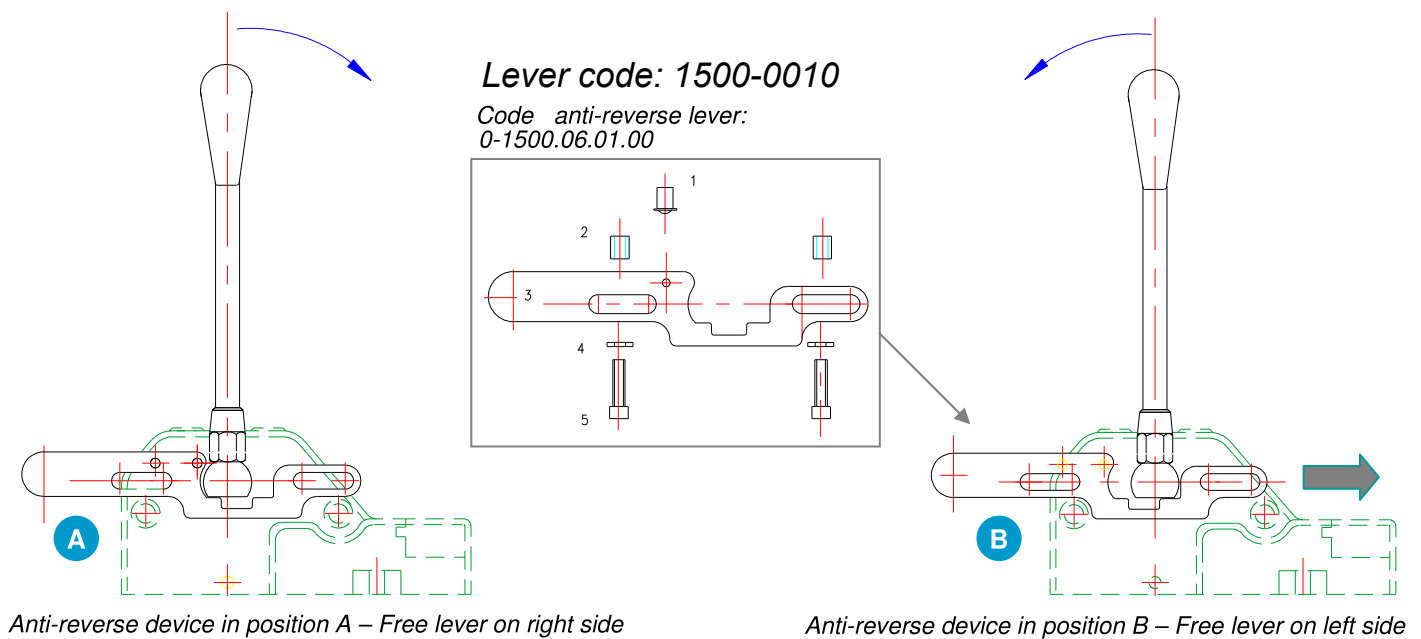
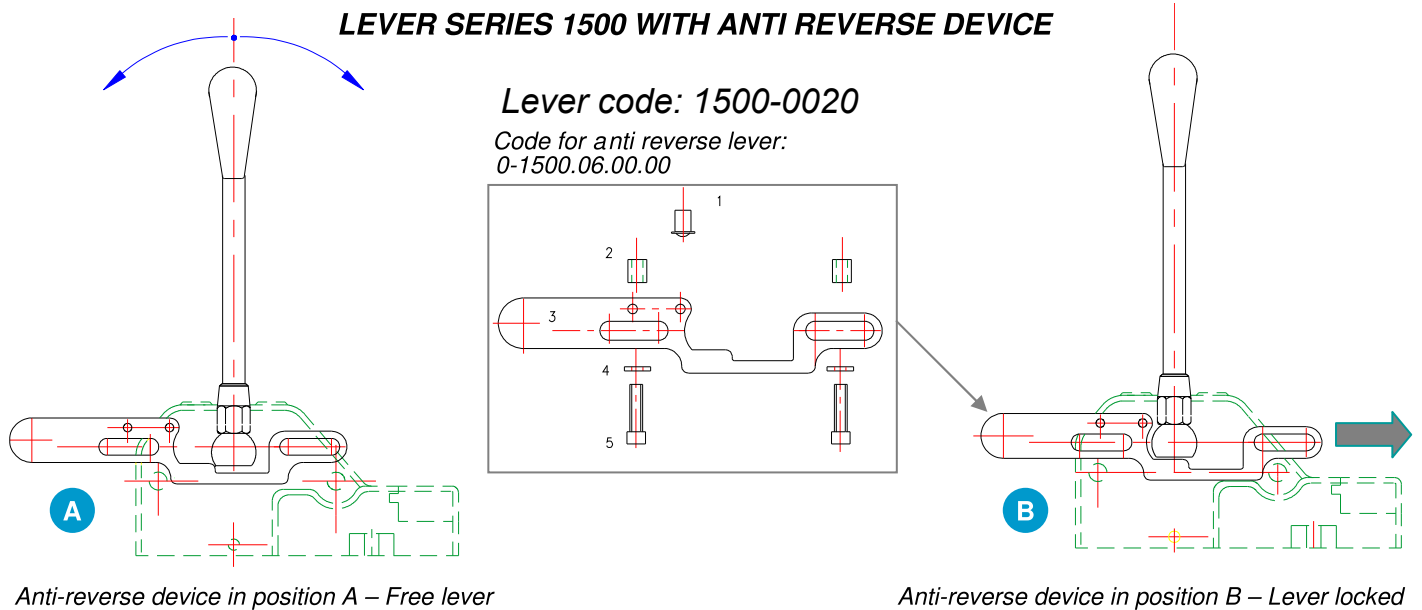
Code	Description	Length
0-0099.21.24.01	Kit per 2 leve – kit for 2 levers	L=76
0-0099.21.24.02	Kit per 3 leve – kit for 3 levers	L=121
0-0099.21.24.03	Kit per 4 leve – kit for 4 levers	L=166
0-0099.21.24.04	Kit per 5 leve – kit for 5 levers	L=212
0-0099.21.24.05	Kit per 6 leve – kit for 6 levers	L=256
0-0099.21.24.06	Kit per 7 leve – kit for 7 levers	L=302



CONTROLS

Technical features

LEVER SERIES 1500 WITH ANTI REVERSE DEVICE



Parts for anti-reverse device mounting

Parts for kit		
1	Detent	1
2	Spacer	2
3	Lock device	1
4	Washer D=5	2
5	Screw M5x30	2

CONTROLS

ORDER CODE

1 5 0 * - * * * *

TYPE

1500. Without spacers.
1501 With spacers.

LEVER TYPE

0. L=230mm.
1. L=180mm.
*. L=customized

ENDSTROKE

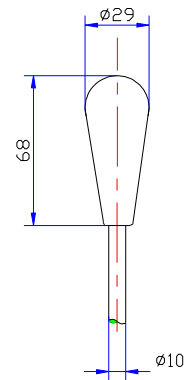
0. NO.
1. YES.

LEVER FUNCTION

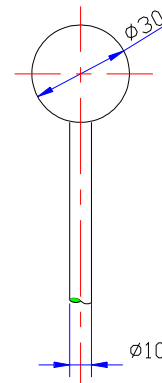
0. Standard.
1. With anti inversion kit.
2. With lever lock.

KNOB TYPE

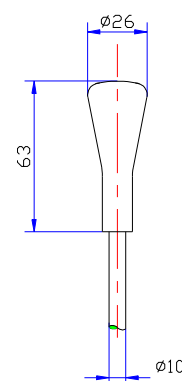
3. OGIVAL.
4. SPHERICAL D=30.
5. CONIC.



Code: N-1002.10.N
HALF-ROUND KNOB



Code: N-S.30N.10
ROUND KNOB



Code: D-1127.10.00.00
STANDARD KNOB
Standard version