

CONTROLS

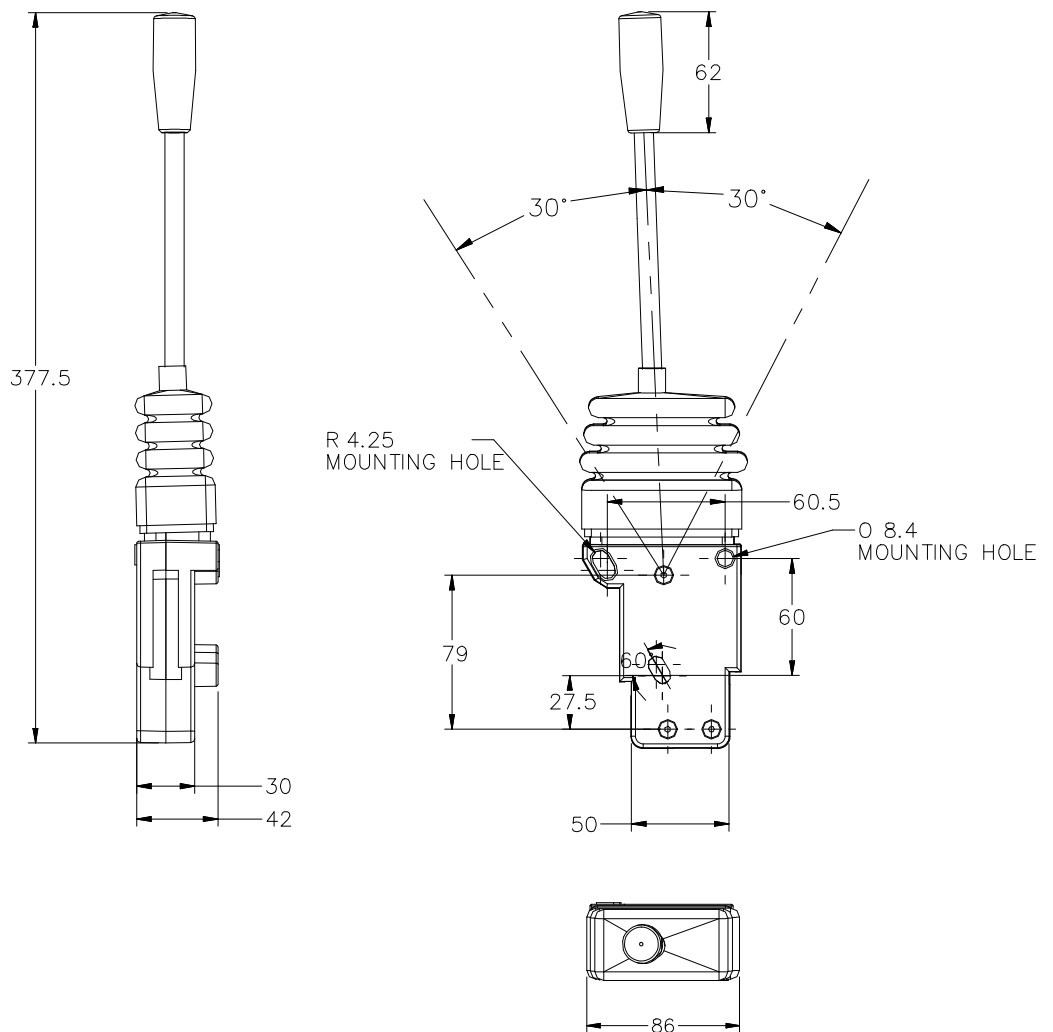
CONTROL LEVER FOR HYDRAULIC DISTRIBUTORS

SERIES 1010 - 1600

- Rugged Die Cast housing and slider
- easy connect and disconnect
 - multiple levers can be used together
 - suitable for boom lock, stabiliser control, remote
 - valve actuation

Control lever series 1010

Cable push-pull outgoing at 90°



CONTROLS

CONTROL LEVER FOR HYDRAULIC DISTRIBUTORS

SERIES 1010 - 1600



Control lever series 1600

Cable push-pull outgoing at

