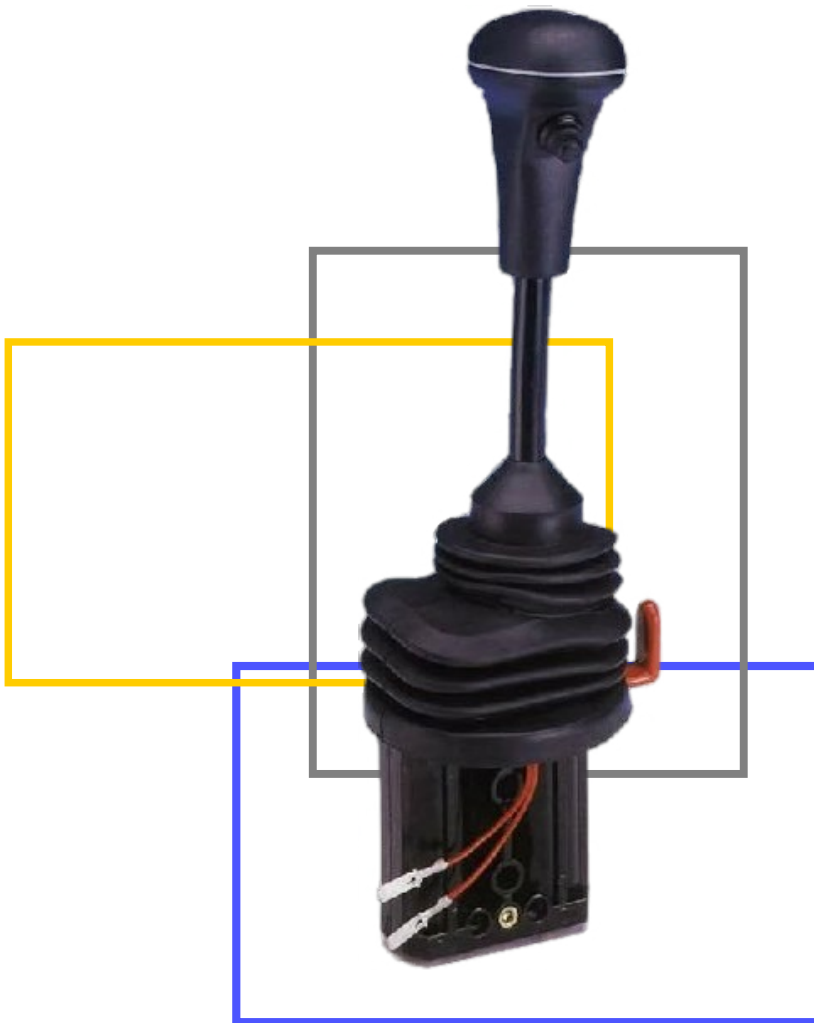


CONTROLS

CONTROL LEVER FOR HYDRAULIC DISTRIBUTORS

SERIES 2000

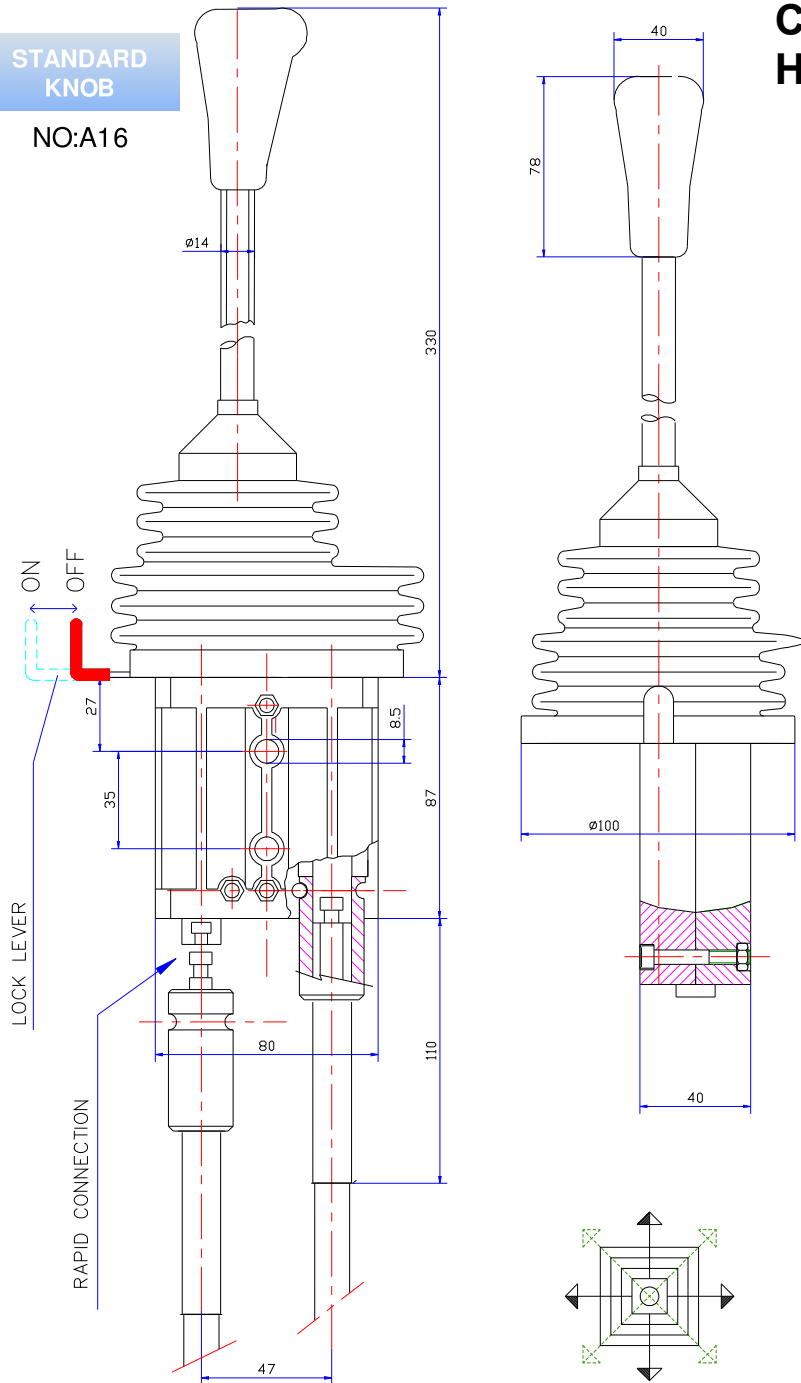


CONTROLS

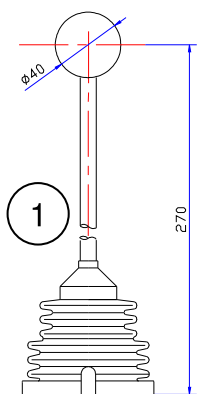
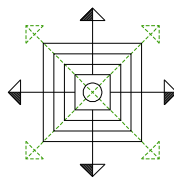
CONTROL LEVER FOR HYDRAULIC DISTRIBUTOR

STANDARD
KNOB

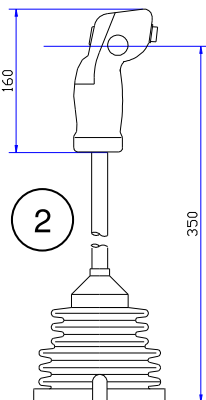
NO:A16



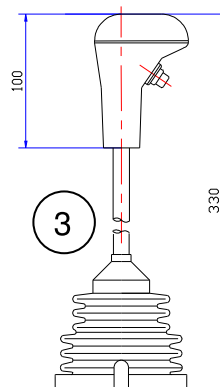
GENERAL TECHNICAL SPECIFICATION	
MAXIMAL STROKE	14+14 (mm)
WORK LOAD	Kg 40
STROKE STOP	NO
LEVER RATIO	14:1
STANDARD LEVER L=330	BLACK
NEUTRAL LEVER LOCK	YES
COLOUR	BLACK



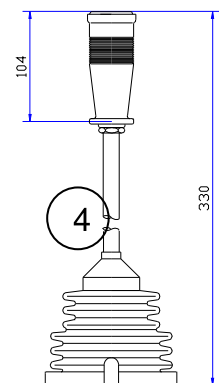
Spherical knob
NO: E16



Multifunction knob
NO: C16



Knob with switch
NO: B16

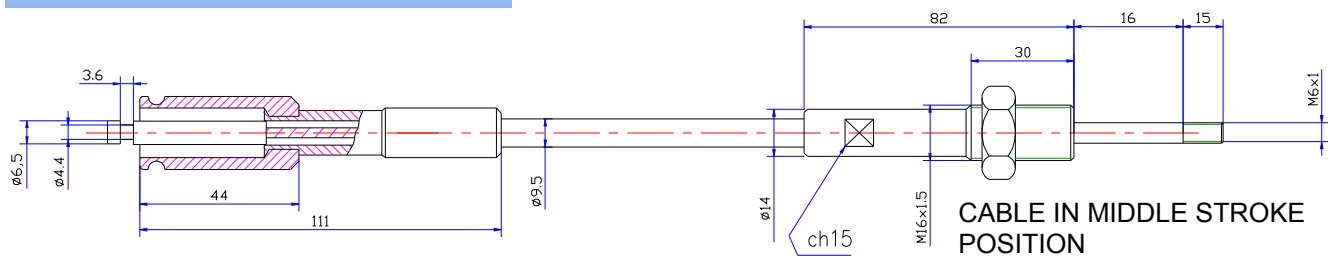


Ergonomic knob
NO: D16

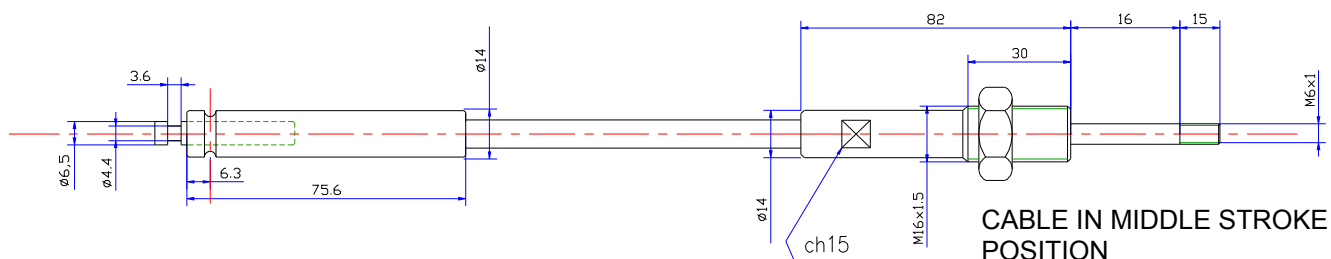
CONTROLS

COMMAND CABLES FOR JOYSTICK AND SINGLE LEVER

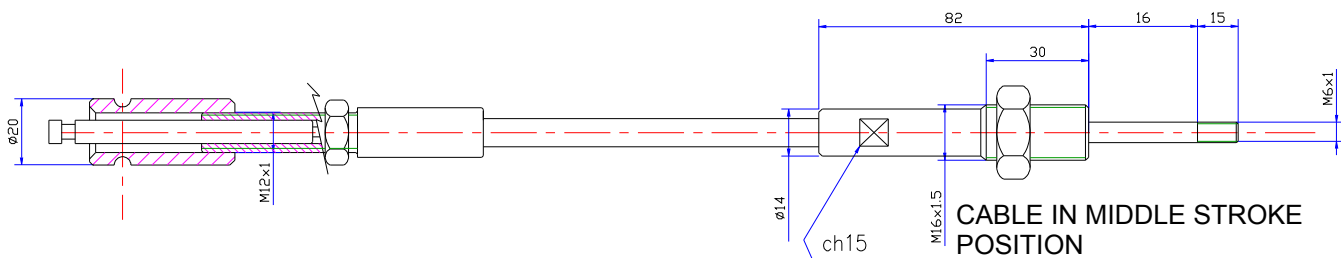
CONNECTION TO LEVER 2000



CONNECTION TO LEVER 1500

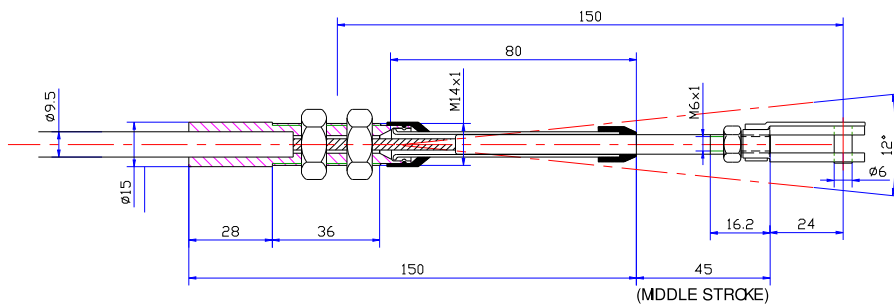


CONNECTION TO LEVER 1000



CARICO MAX.SFILAMENTO

TECHNICAL SPECIFICATION	
MAXIMAL STROKE	16+16(mm)
MIN RADIUS OF CURVATURE	120mm
MAX LOAD SLIPPAGE	2500N
COVERING COLOUR	BLACK
EXERCISE TEMPERATURE	-25° + 80°
NEUTRAL LEVER LOCK	YES
COLOUR	BLACK



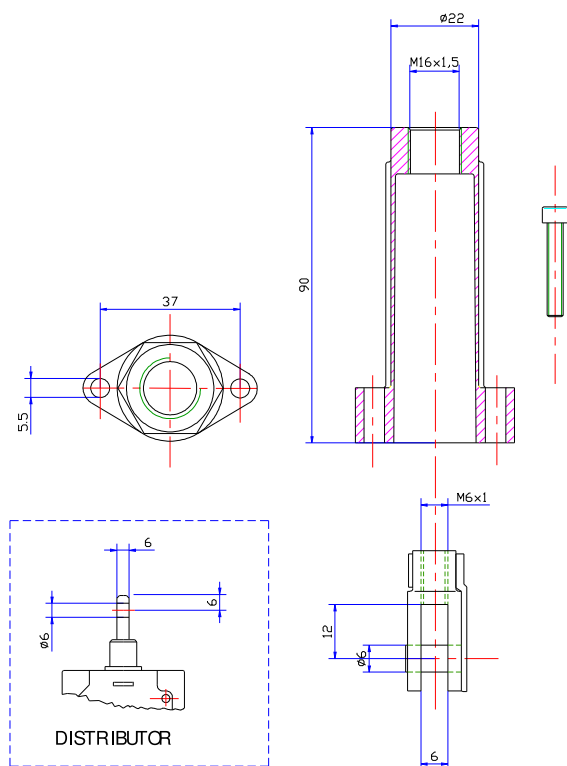
COMMON FOR ALL LEVERS (1000-1500-2000)

CONTROLS

EXAMPLES OF MOUNTING KITS FOR HYDRAULIC DISTRIBUTORS

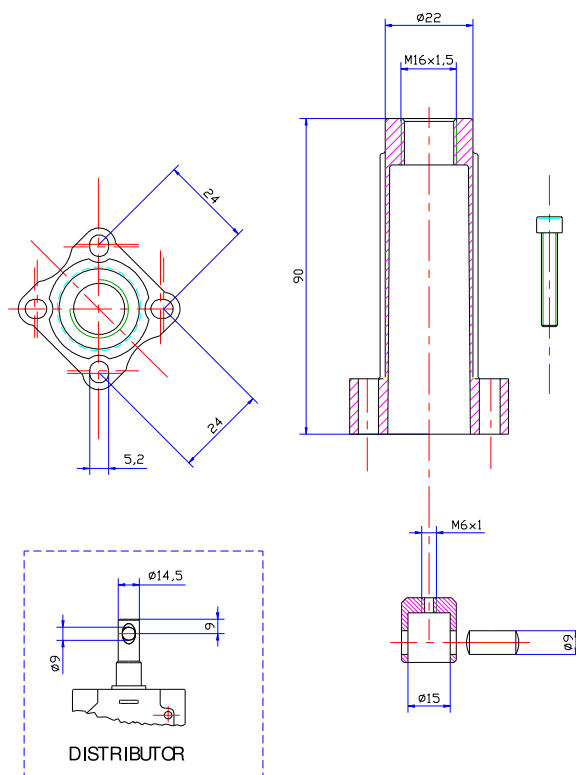
CONNECTION CABLE KIT

0099.30.01.18



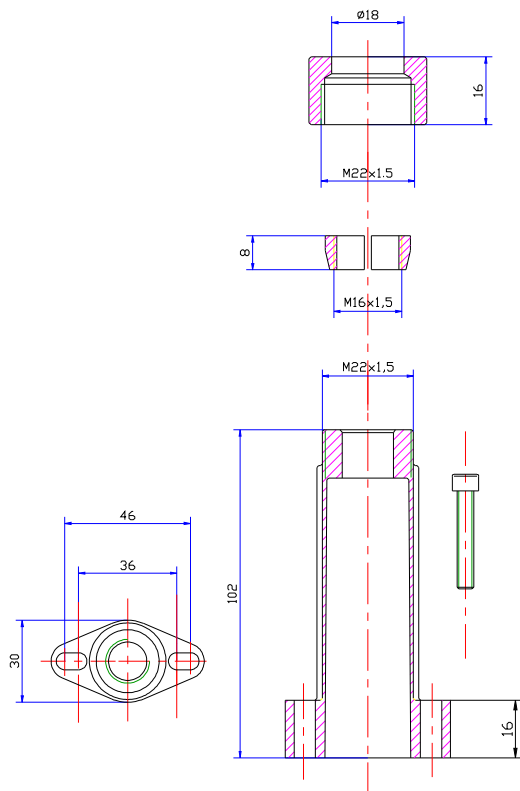
CONNECTION CABLE KIT

0099.30.01.06



CONNECTION CABLE KIT

0099.30.36.46



CONNECTION CABLE KIT

0099.30.01.22

