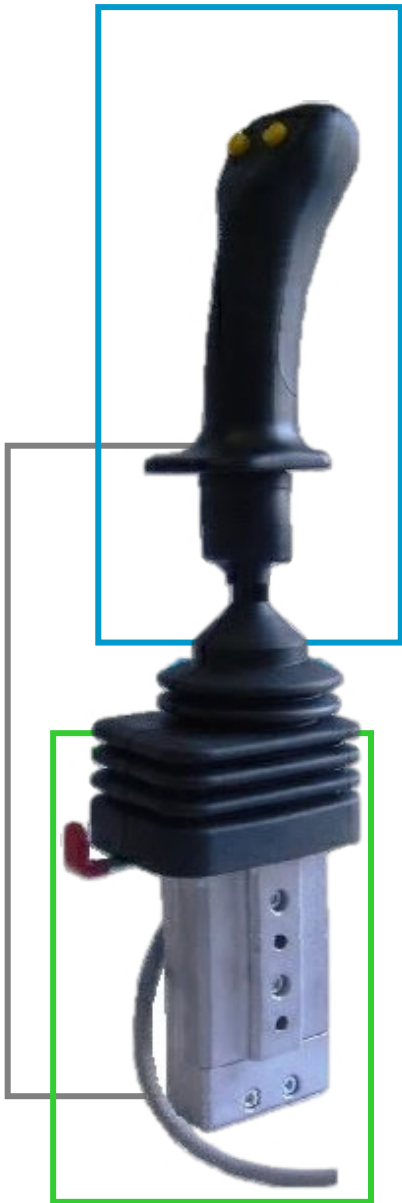


# CONTROLS

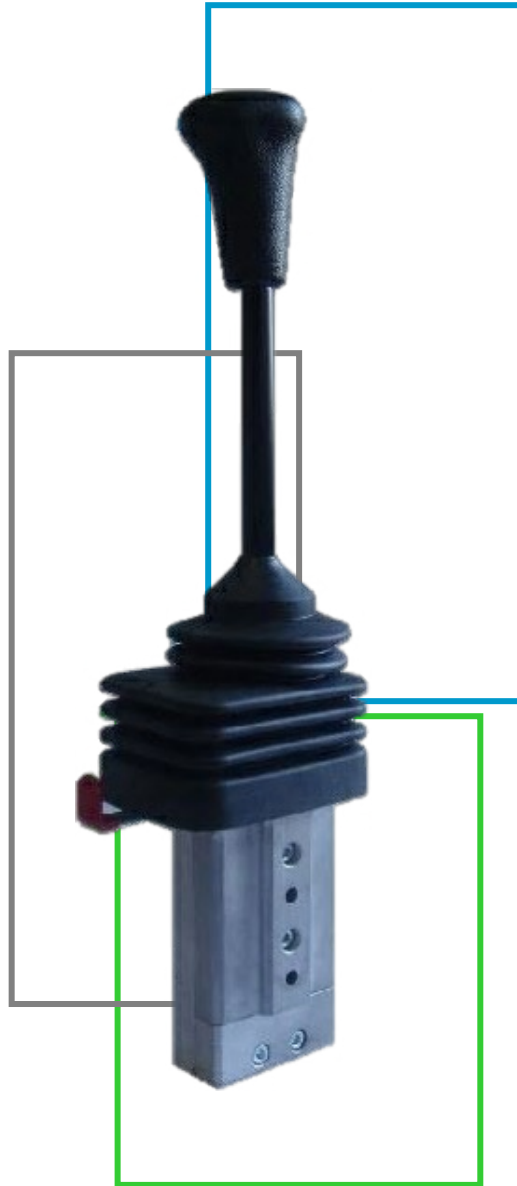
## CONTROL LEVER FOR HYDRAULIC DISTRIBUTORS

### *SERIE 2500*



Joystick with straight lever and ergonomic handle

Code. 1036-8-01-\*\*\*



Joystick with bent lever and standard handle

Code. 1036-8-03-\*\*\*

Joystick with straight lever and standard handle

Code. 1036-8-\*\*



# CONTROLS

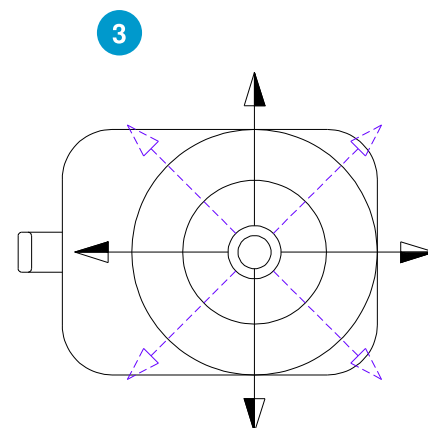
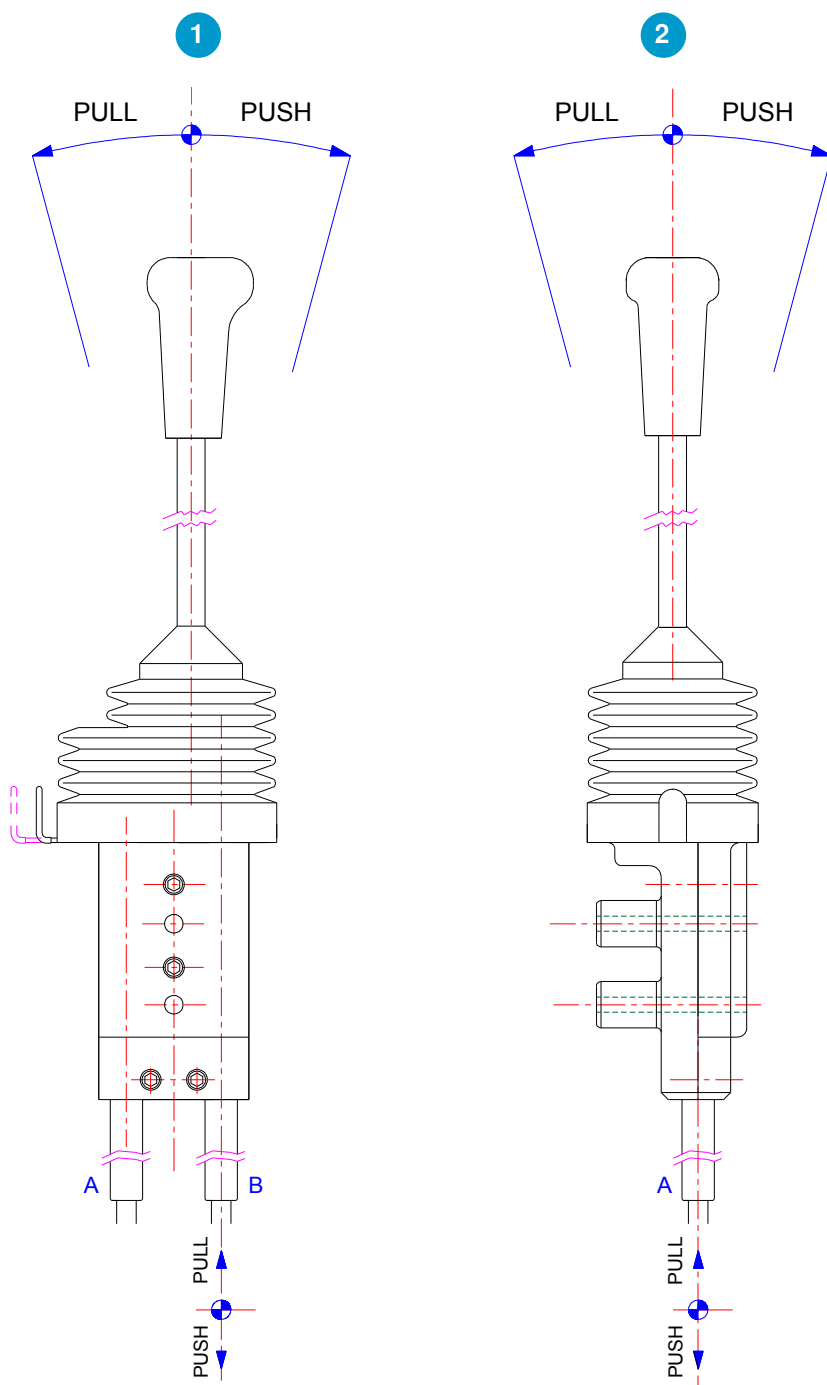
## CONTROL LEVER FOR HYDRAULIC DISTRIBUTORS

Joystick series 2500 is developed in order to increase the sensibility of the user and to make lever movement precise and reactive.

The joystick is made with resistant materials which transmit to the user a sensation of sturdiness and versatility, and a very long life .

The joystick is studied in order to be fixed either on a wall or on a bracket and it has a lock lever with a red plastic cover. Black rubber below protects the joystick from external substance and dust that could damage the joystick.

Cables connection is very easy and sure , and can be done also when the joystick is fixed on the wall.



Picture 3 shows the possible movements on the joystick .

*Available stroke= 13 + 13 (mm)*

# CONTROLS

## CONTROL LEVER FOR HYDRAULIC DISTRIBUTORS

### FUNCTIONS

When you move the joystick control lever, you operate the internal slider that moves the cables which in turn controls the hydraulic distributor.

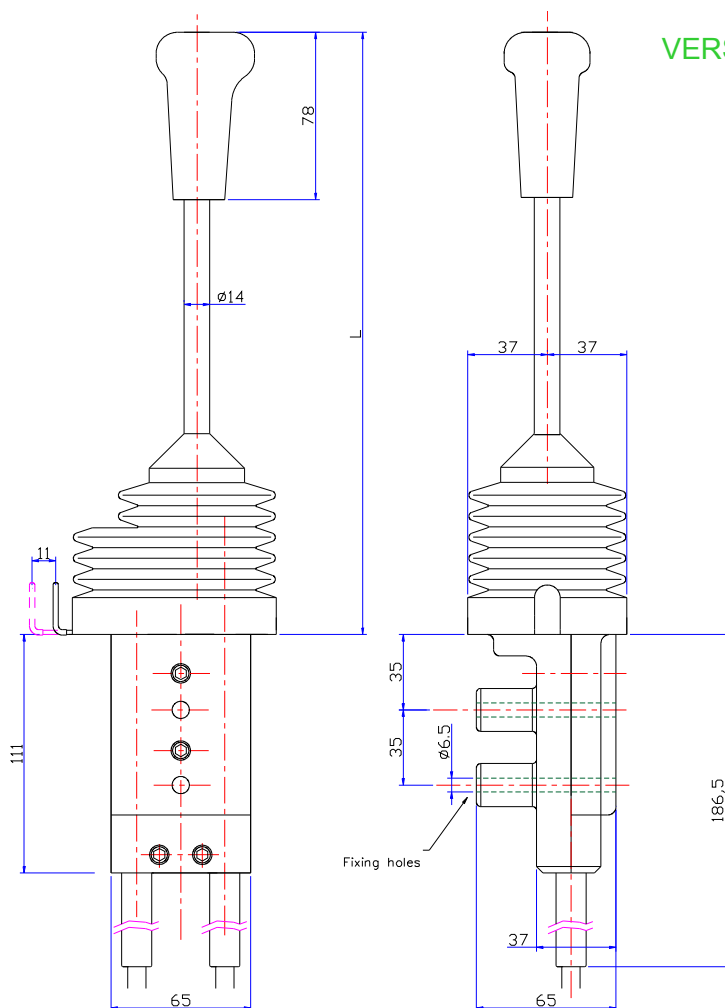
Function diagram (on the left):

view n.1, when you move the lever towards right, cable B pulls and when you move the lever towards left, cable B pushes ;

in view n.2, when you move lever towards left, cable A pulls and when you move lever towards right, cable A pushes .

Joystick series 2500 allows also combined movement of the lever which produces a combined operation of the two cables .

### JOYSTICK WITH STANDARD HANDLE



### VERSION WITH STRAIGHT LEVER

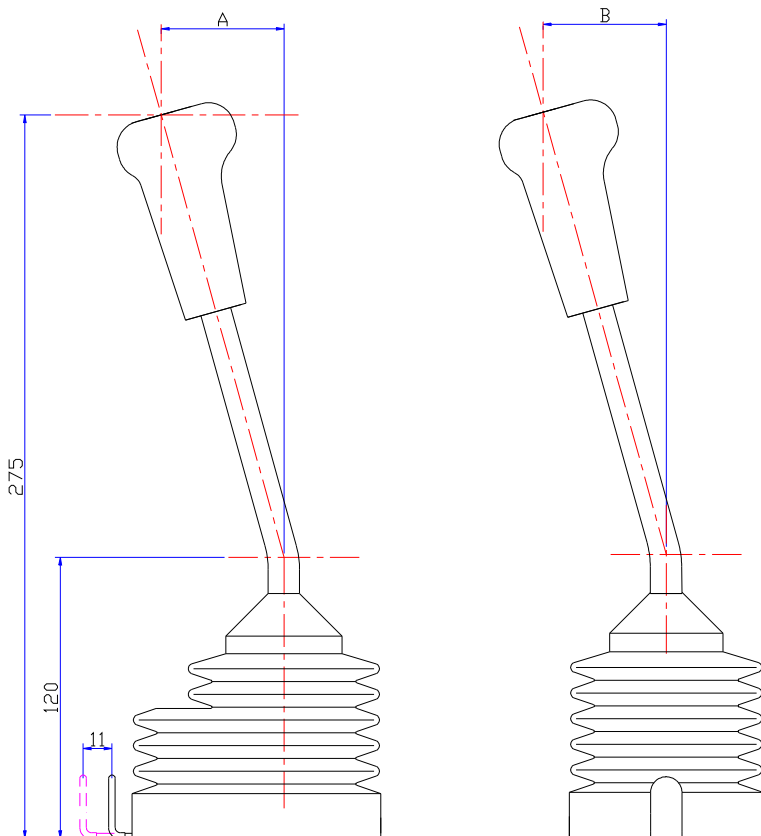
Version with straight lever

	Short lever	Long lever
L	275 mm	330 mm
Code	1036-8-01	1036-8-02
Lever ratio	9,5	11,5

# CONTROLS

## CONTROL LEVER FOR HYDRAULIC DISTRIBUTORS

### VERSION WITH BENT LEVER

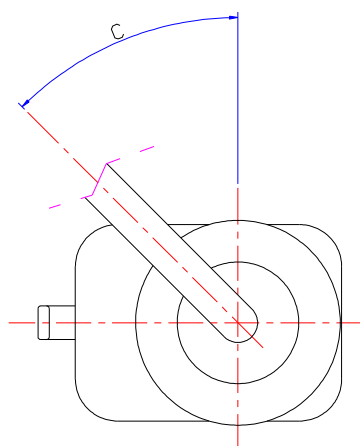


Standard dimensions:

A = 47

B = 47

C = 45



Joystick with bent lever has dimensions that can be customized in relation to the application.

It can be with standard handle without switches and with an atomic handle with one switch. For more info about this handle , see the followin page.



	<i>Standardlever</i>
L	275 mm
Code	<b>1036-8-03</b>
Lever ratio	9,5

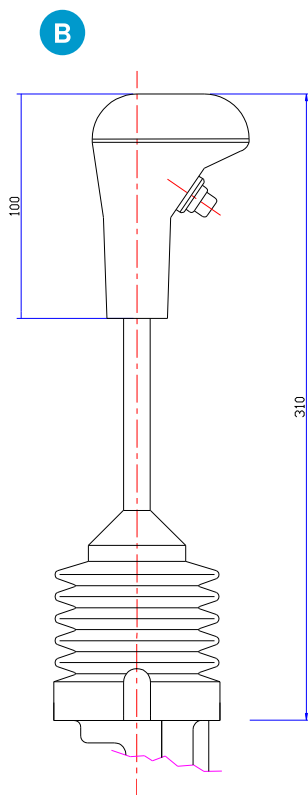
*Thiscode isfor the version with standard handle and dimensions (picture A)*

# CONTROLS

## CONTROL LEVER FOR HYDRAULIC DISTRIBUTORS

### JOYSTICK WITH SPECIAL HANDLE

#### JOYSTICK WITH ANATOMIC HANDLE WITH SWITCH

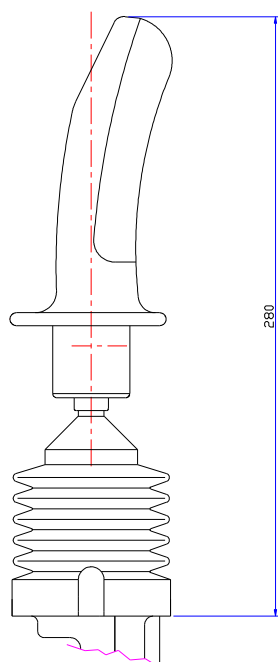


Joystick with anatomic handle is studied as an evolution of standard handle with only one black switch. The handle is in nylon material black colored. The length of the lever in standard version is 320mm (drawing B) but it can be customized.

**IMPORTANT:** this kind of handle is also available for joystick with bent lever.

**Code: 1036-8-01-01C (length lever = 310)**

#### JOYSTICK WITH ERGONOMIC HANDLE



Joystick with ergonomic handle is developed in order to reduce user fatigue during long working period.

It can be used different type of handle with a different number of switches either in front side or in rear side. For more info, please see the following page.

**Code: 1036-8-01-\*\*\***



# CONTROLS

## CONTROL LEVER FOR HYDRAULIC DISTRIBUTORS

### TECHNICAL DATA

#### Technical specifications :

Handle protection .....IP 65  
 Cable section .....0.5 mm<sup>2</sup>  
 Electrical cable length .....700 mm  
 Micro -switch specifications:  
 Direct current resistive load .....5A 30 VDC  
 Direct current inductive load .....3A 250 VDC  
 Alternative current resistive load .....5A 30 VAC  
 Alternative current inductive load..... 2A 250 VAC

Button color:

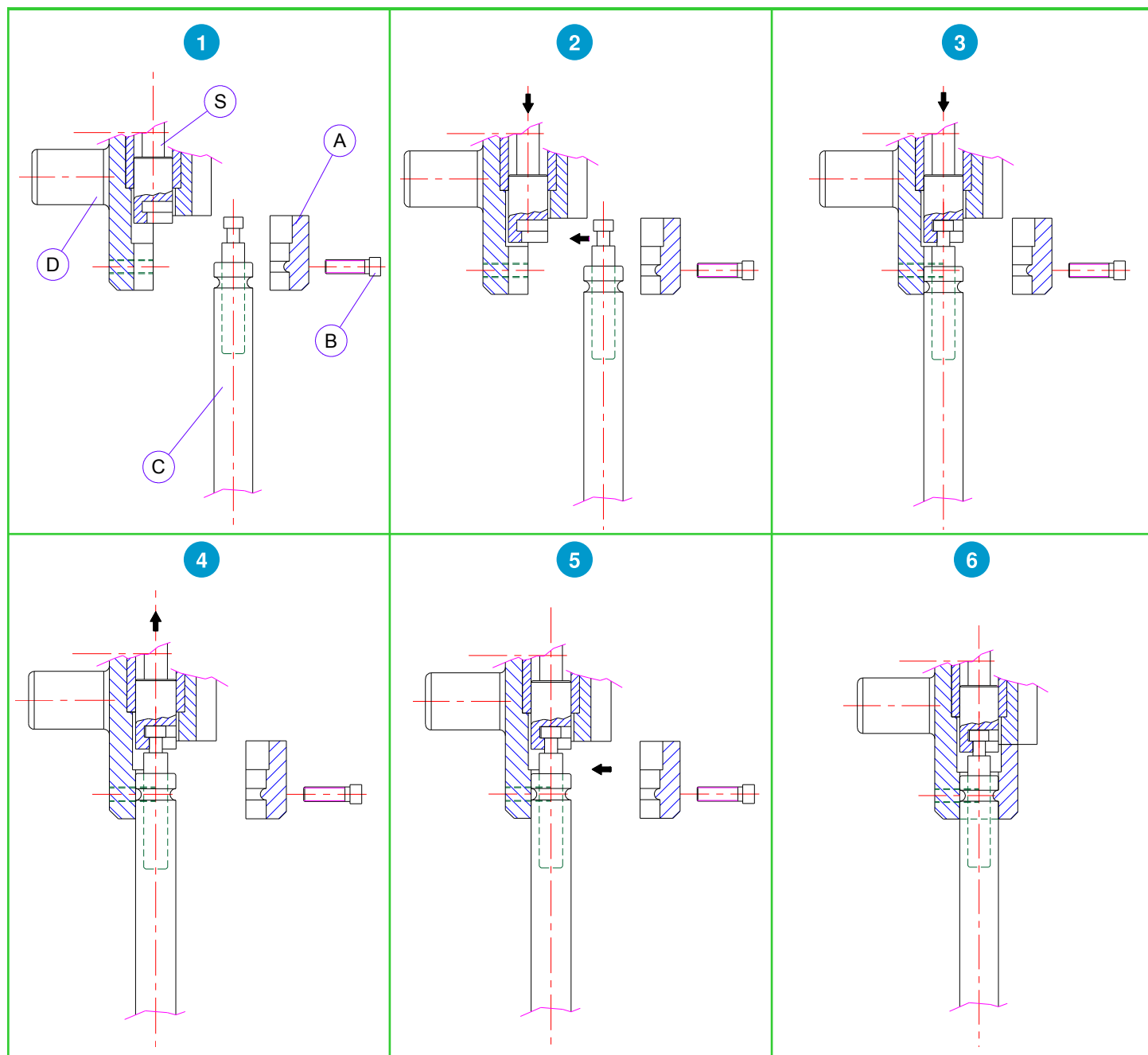
A red	B-C yellow	D-E green
F-G grey	H push button for safety user	

IMAGE	DIAGRAM	IMAGE	DIAGRAM	IMAGE	DIAGRAM
1036-8-01-00F 		1036-8-01-01F 		1036-8-01-02F 	
1036-8-01-03F 		1036-8-01-04F 		1036-8-01-05F 	
1036-8-01-00R 		1036-8-01-01R 		1036-8-01-02R 	
1036-8-01-03R 		1036-8-01-04R 		1036-8-01-05R 	

# CONTROLS

## CONTROL LEVER FOR HYDRAULIC DISTRIBUTORS

### ASSEMBLY INSTRUCTION



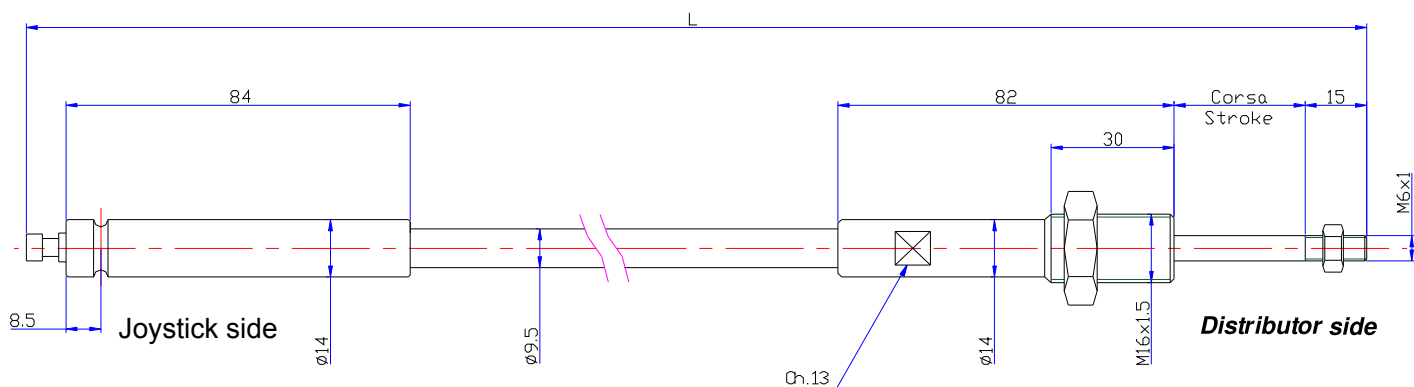
#### Assembly instructions

- 1) Necessary components for the mounting of the cables are: locking part (A), screws (B), cables (C) and the joystick.
- 2-3) Move the lever in order to move down one slider (S) until will be possible to insert the end of the cable (C) into the rapid connection on the end of the slider (S). Hold the slider pushed down until the end of this operation.
- 4) Release the lever in order to allow the return of the slider in "zero" position. Repeat steps 1–2–3–4 for the other cable.
- 5) Mount the locking part (A) with two screws (B) in to the threaded holes on the joystick body (D). The groove on the locking part (A) must center with the groove on cable ending.

# CONTROLS

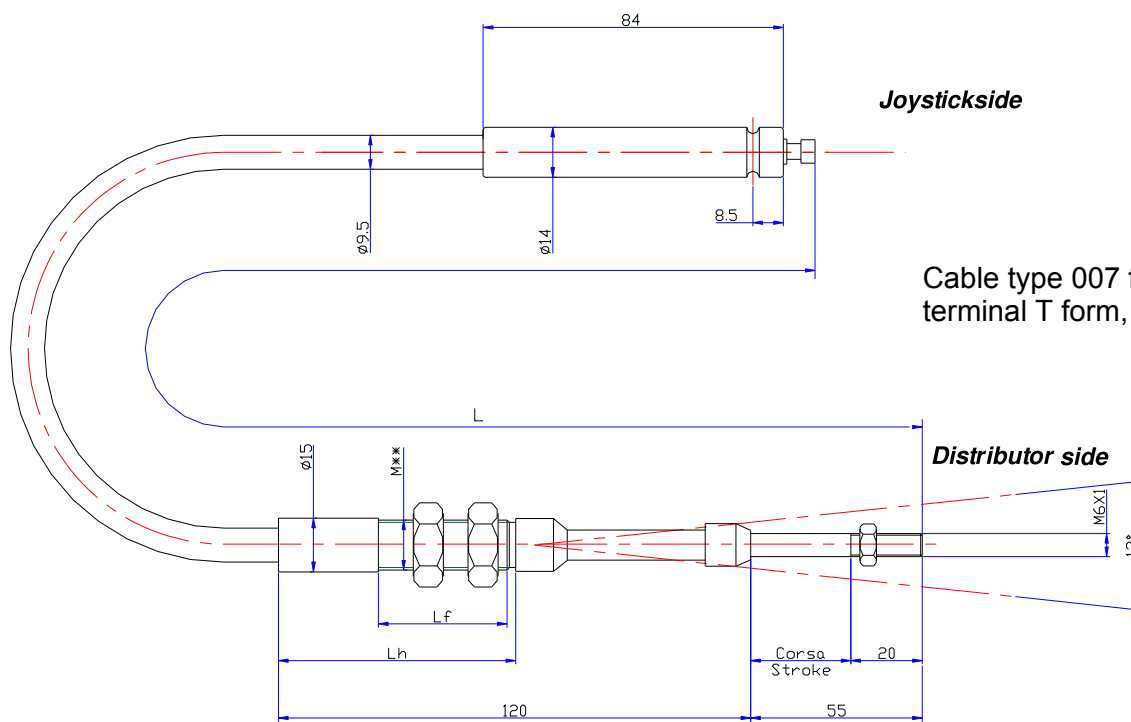
## CONTROL LEVER FOR HYDRAULIC DISTRIBUTORS

### CABLES FOR JOYSTICK SERIES



LLLLL = length in mm

	Normal 007	007 Economic
CODE	971630-LLLLL	971630*LLLLL



Cable type 007 for joystick 2500 with terminal T form, with stroke = 30mm

LLLLL = length in mm

Cable007	M**	Lf	Lh	Codes
Normal	M14x1	36,5 mm	74,5 mm	271630-LLLLL
Economic				271630*LLLLL
Normal	M16x1,5	47 mm	85 mm	271630-6-LLLLL
Economic				271630-6*LLLLL