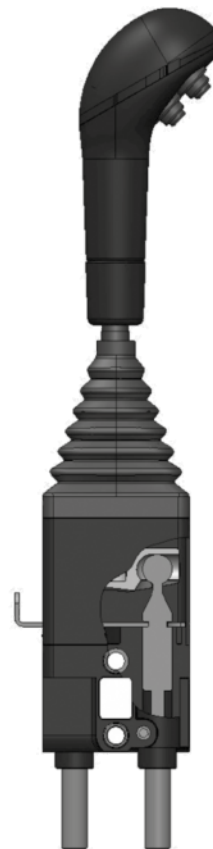
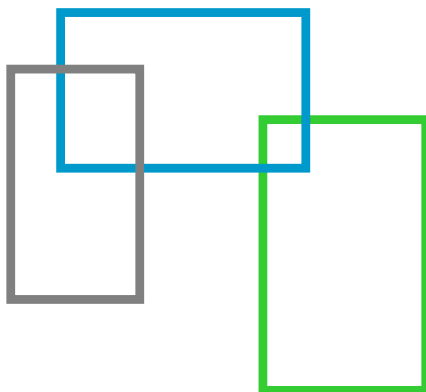


## CONTROLS

# CONTROL LEVER FOR HYDRAULIC DISTRIBUTORS

## SERIES 2800



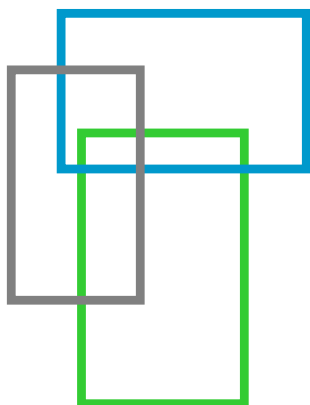
Joysticks series 2800 are developed to increase the sensibility of the user and to make lever movements precise and reactive.

Joysticks series 2800 are designed to be mounted on the wall or on a bracket.

The lever lock can be mounted on each of the four sides of the body, to guarantee an easy and flexible installation.

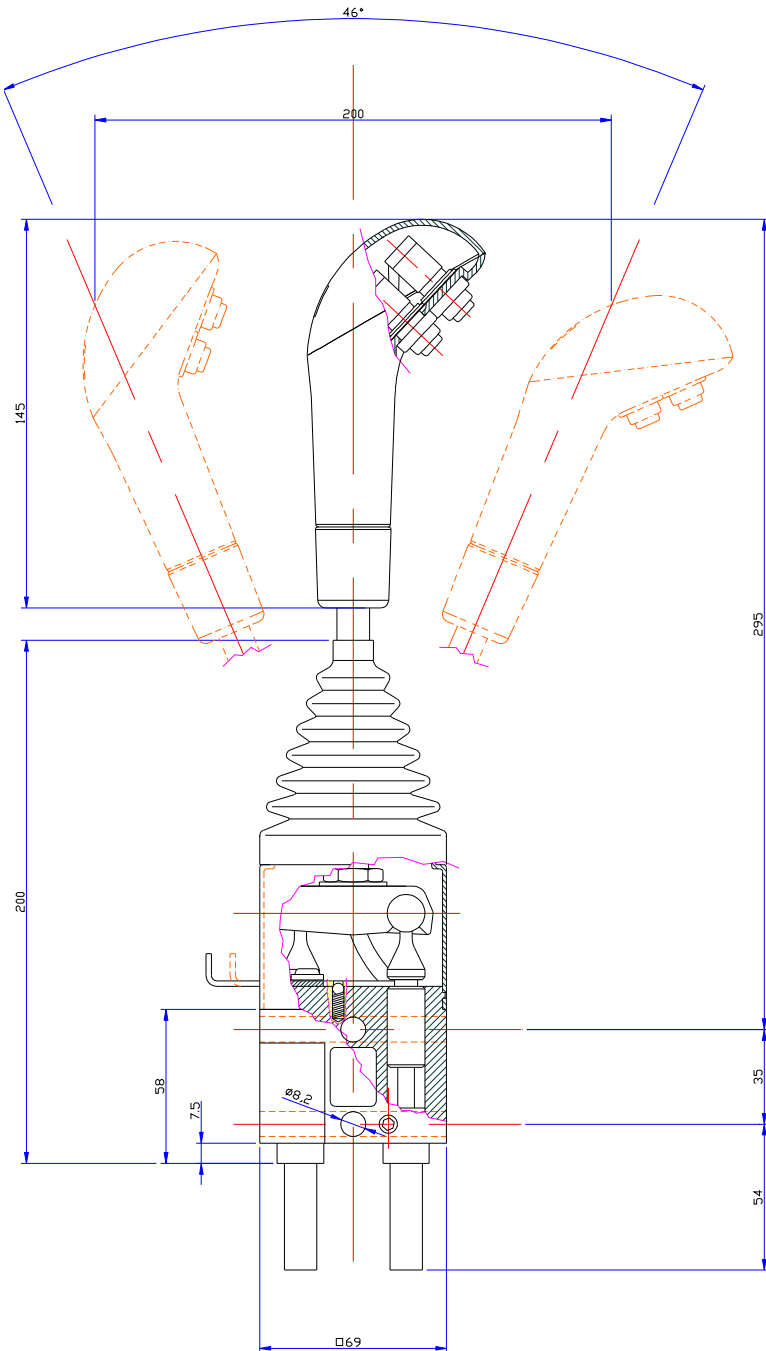
Thanks to the two possibilities of fulcrum mounting, you can mount the joystick in any direction with respect to lever lock, handle and fixingholes.

Joysticks series 2800 offer the possibility to place either the customer's logo or any kind of label on the handle.

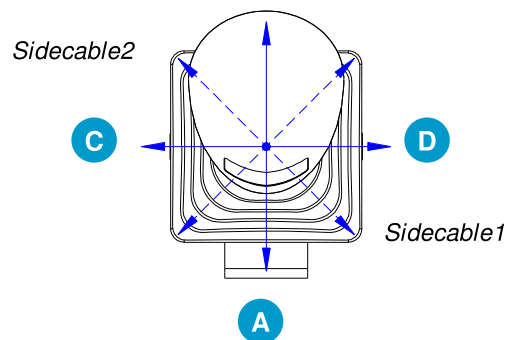
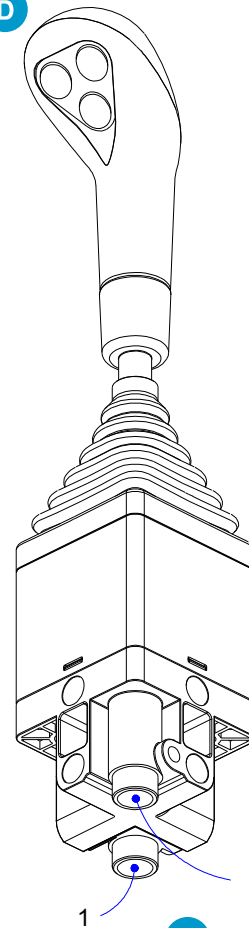
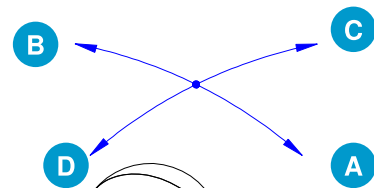


# CONTROLS

## TECHNICAL FEATURES



Features	
Stroke	± 16 mm
Lever ratio	9:1
Lever stroke	200 mm (46°)
Rated force	175 N

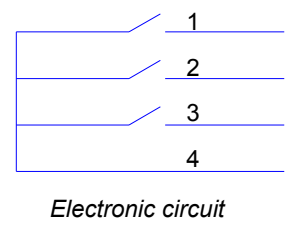
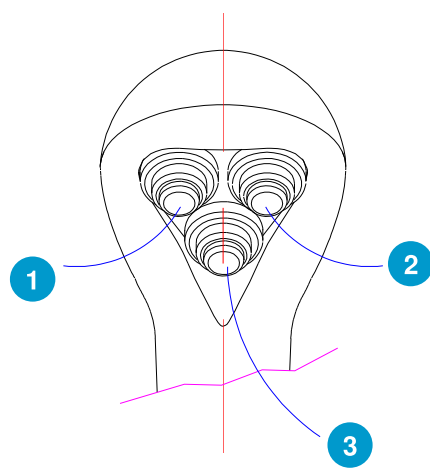
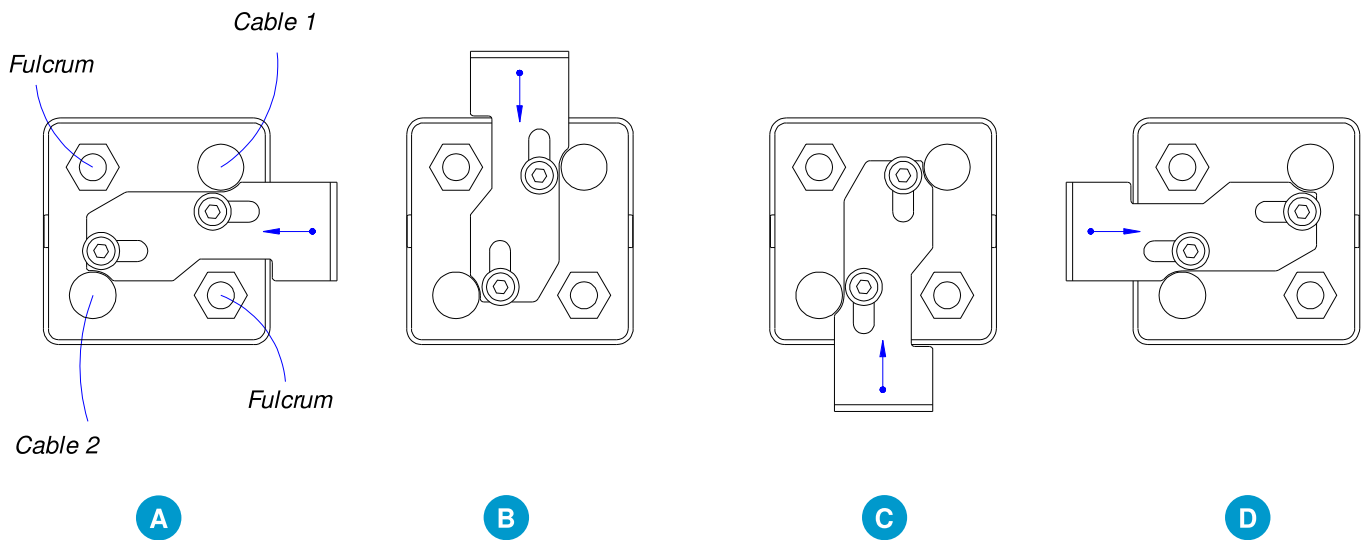


Direction	Cable1 movement	Cable2 movement	Type
A	Push	-	1
B	Pull	-	
C	-	Push	
D	-	Pull	
A	-	Pull	2
B	-	Push	
C	Pull	-	
D	Push	-	

# CONTROLS

## TECHNICAL FEATURES

### Lever lock position



Electronic circuit

### Push buttons / handle

Push-button	Colour electrical wire
1	Black
2	Grey
3	Brown
4	Yellow

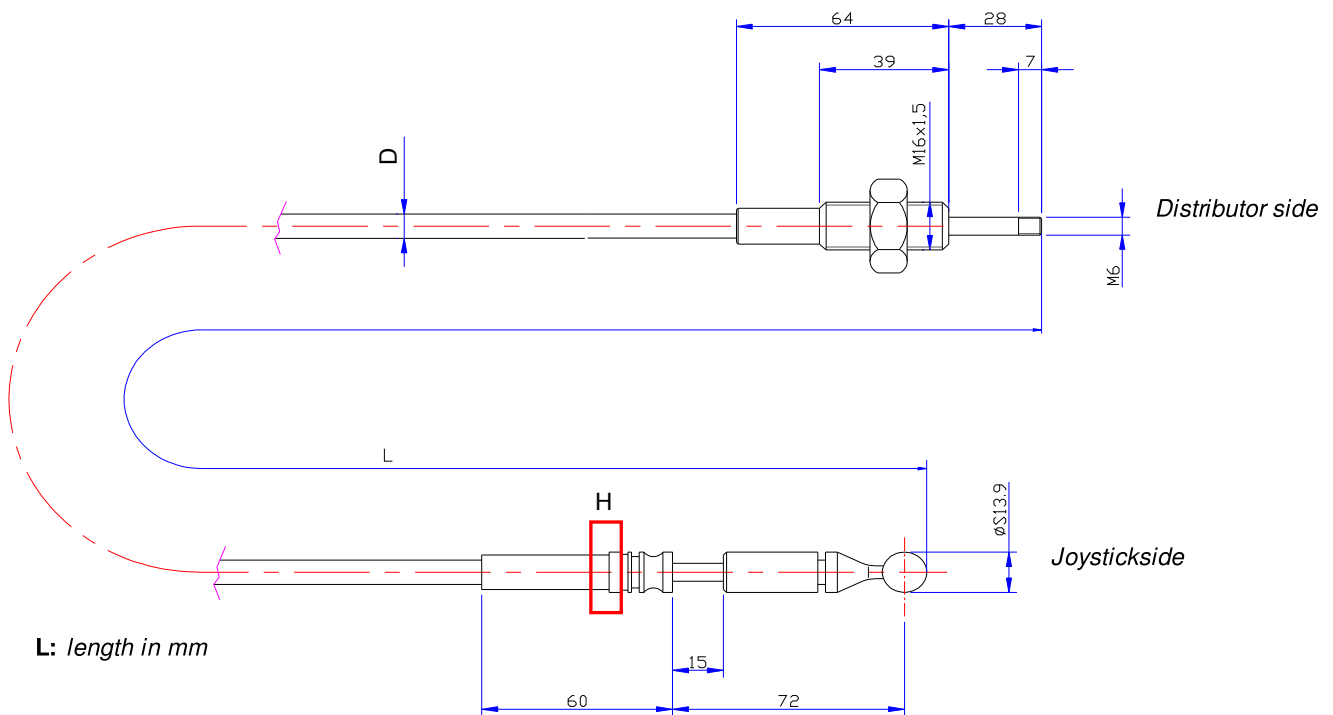
Length of the electrical cable is 1 m

### Order codes

Type 1 – Position 1 2 – Position 2	Lock lever 1 – Position A 2 – Position B 3 – Position C 4 – Position D	Push-buttons 00 – No push-buttons 01 – Position 1 02 – Position 1, 2 03 – Position 1, 2, 3
2800	-	X
	X	-
		XX

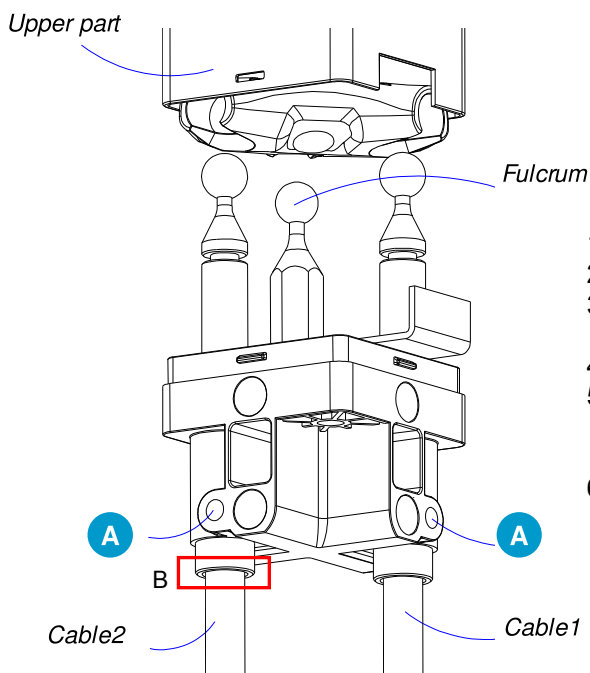
# CONTROLS

## PUSH-PULL CABLES



L: length in mm

Type	Diameter	Code	Maxpushload	Maxpull load	Bendingradius
E3	8,5 mm	0034110-xxxxx	400 N	1000 N	120 mm
007	9,5 mm	0074110-xxxxx	800 N	1800 N	150 mm



### Mounting instructions

- 1) Remove the top of the joystick and remove the fulcrum from its position.
- 2) Insert the push-pull cables into the holes.
- 3) Place the plastic spheres of the cables and the plastic sphere of the fulcrum, in their positions in the joke.
- 4) Screw the fulcrum into the plastic body.
- 5) Insert the push-pull cables into the plastic body.  
Position H on the cable must be in line with the border of the plastic housing (position B). Close the screw A to fix the cables.
- 6) Snap the joystick upper part on the body.