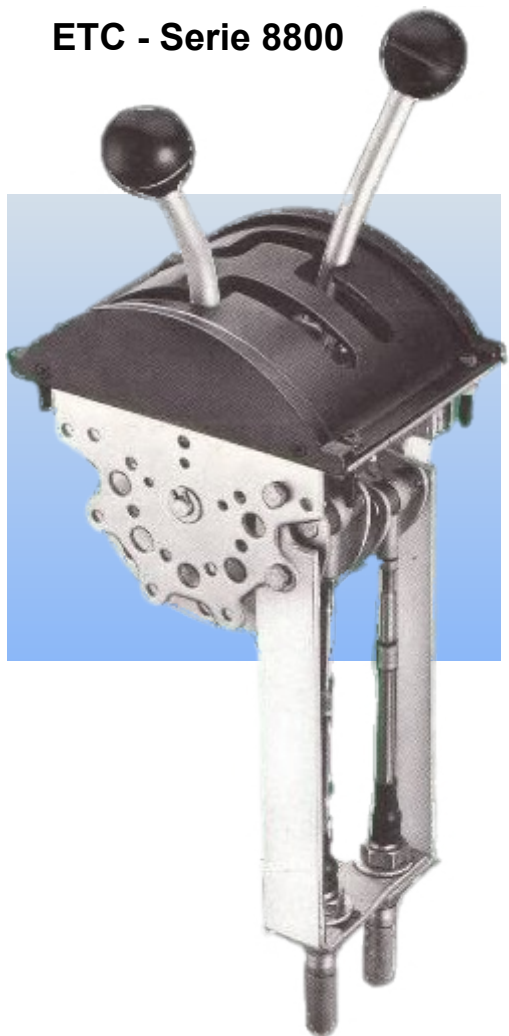


# CONTROLS

## CONTROL LEVER ETC SERIES

### ETC - Serie 8800



#### *Function and application*

Control lever series ETC with double function, are extremely resistant and precise in moving, and are used for: accelerator command, hydrostatic transmission control, change speed gears, coupling speed gear, and many other applications .

This kind of control lever can be used in system with only traction or traction plus compression .

#### *Function and application*

Control lever series ETC with single function, are extremely resistant and precise in moving, and are used for: accelerator command, hydrostatic transmission control, change speed gears, coupling speed gear, and many other applications .

This kind of control lever can be used in system with only traction or traction plus compression .

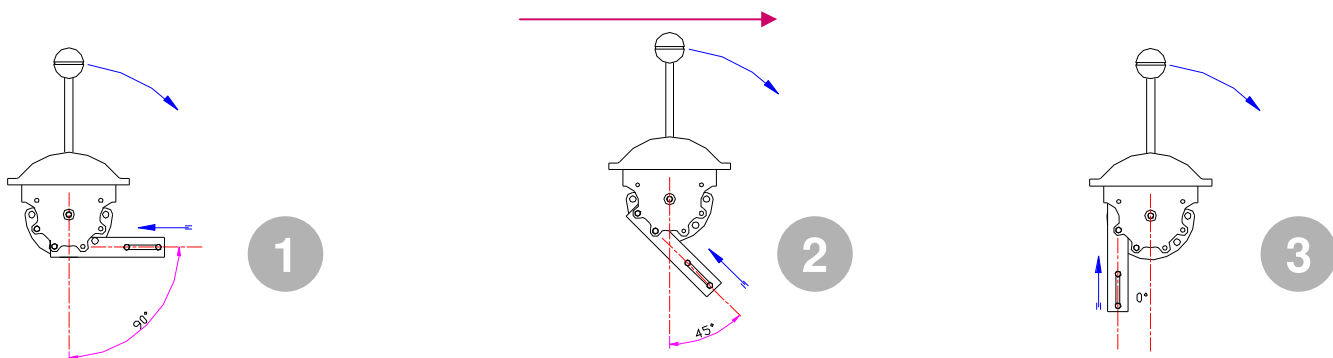
### ETC - Serie 8000



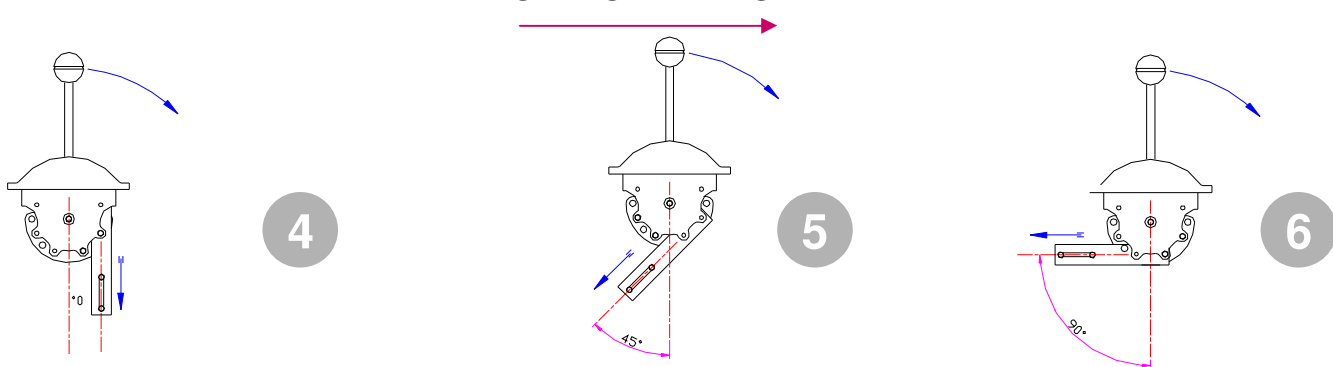
# CONTROLS

## TECHNICAL FEATURES

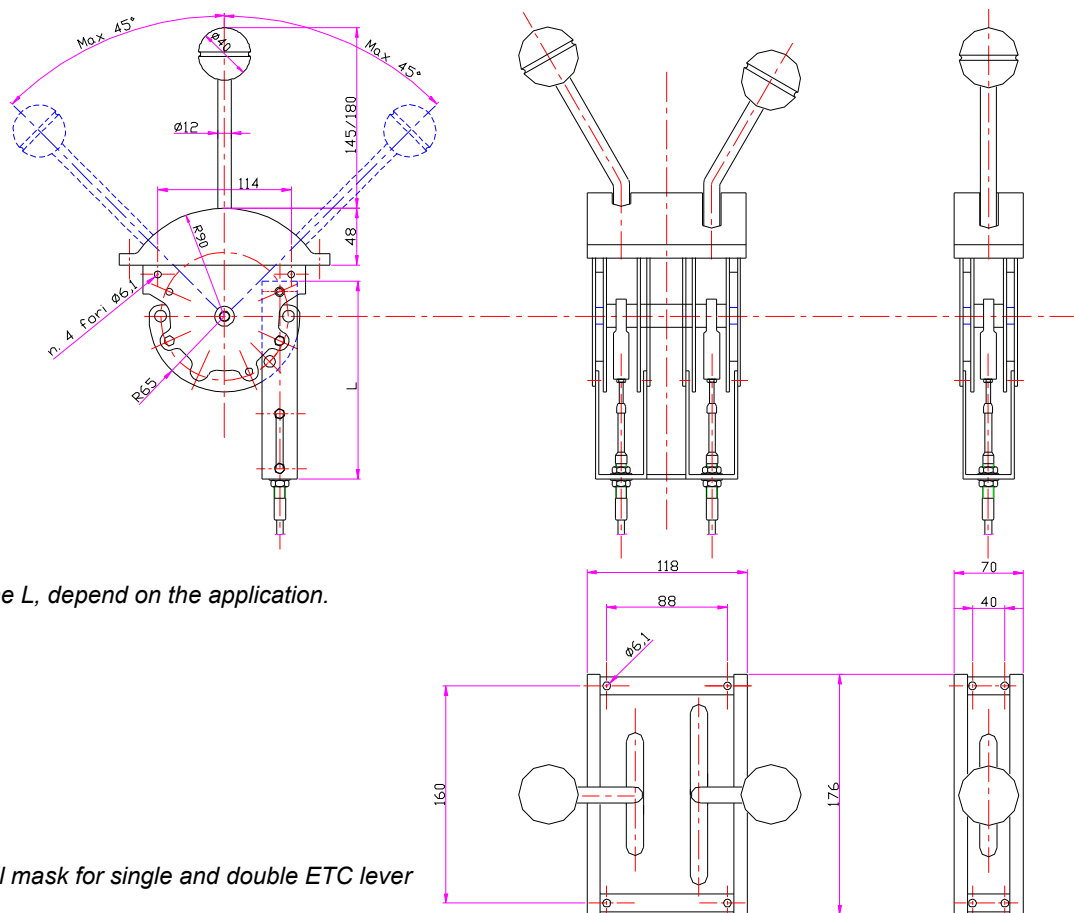
### FRONT OF VEHICLE



### FRONT OF VEHICLE



## Dimensions



### Length L

The length of the fixing plane L, depend on the application.  
Length available are:

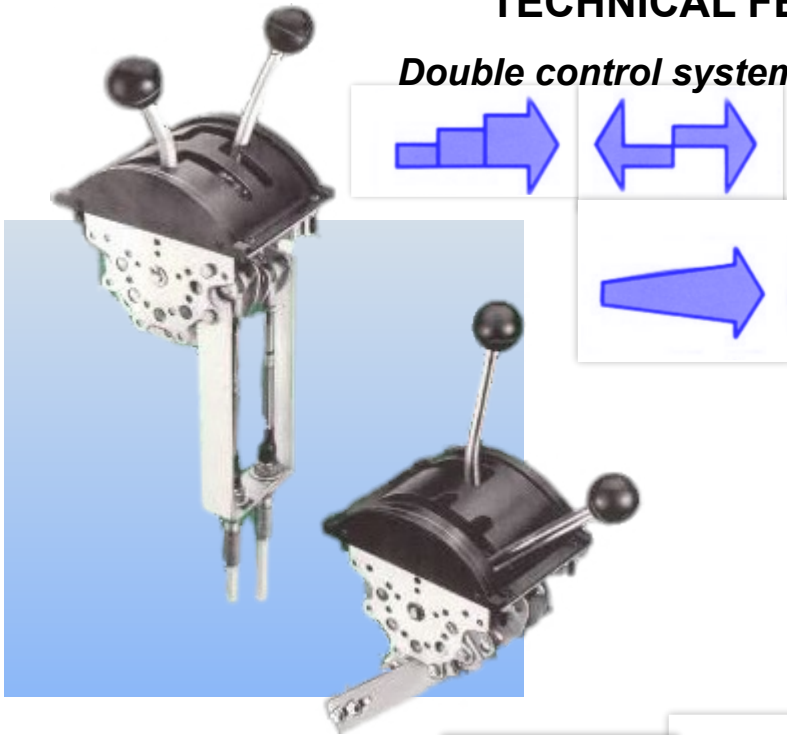
- Ref.
1. L = 200mm.
  2. L = 252mm.
  3. L = 310mm.
  4. L = non standard.

Drill mask for single and double ETC lever

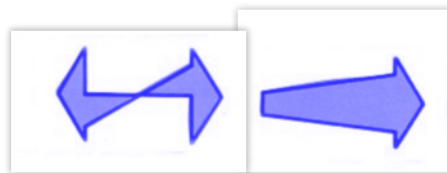
# CONTROLS

## TECHNICAL FEATURES

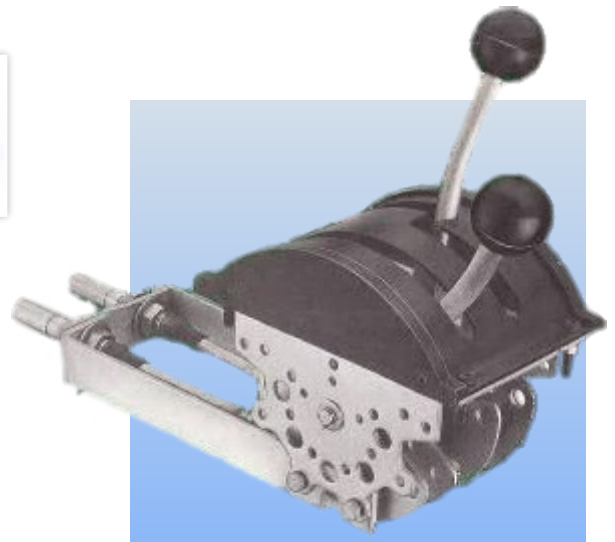
### *Double control system ETC type 8800*



Possible application: one lever commands the gear coupling, and the other one commands the hydraulic inverter.



Possible application: one lever commands the hydrostatic transmission, and the other one commands the accelerator.



## APPLICATION

Double systems represented are examples of customization . Many kinds of customization are available, depending on the application.

In order to find a solution optimized for your application, contact our technical department.

## SYMBOLS

*Mech. gear*



*Hydraulic inverter*



*Accelerator*



*Hydrostatic transmission with inverter*



# CONTROLS

## TECHNICAL FEATURES

### *Single control system ETC type 8000*



Possible application, lever commands:  
selection or changing of gear.



Possible application, lever commands:  
hydrostatic transmission.



Possible application, lever commands:  
hydrostatic transmission, with central lock.