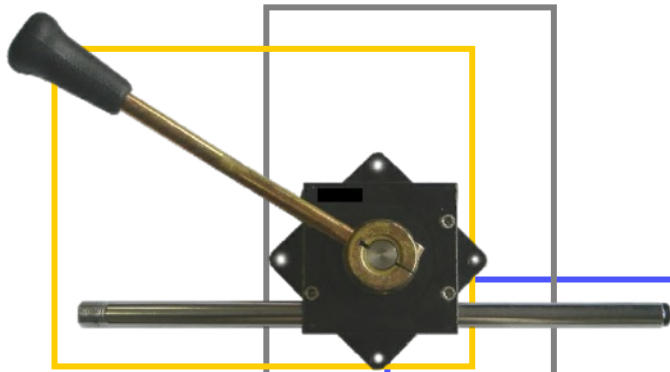


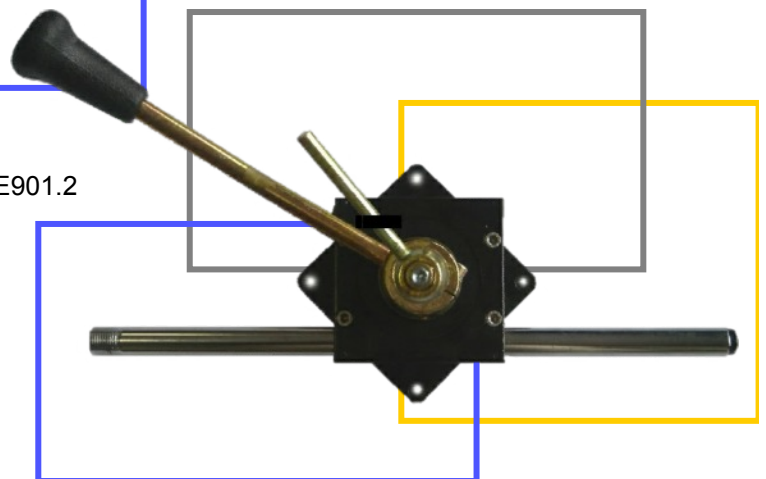
# CONTROLS

## CONTROL LEVER WITH RACK

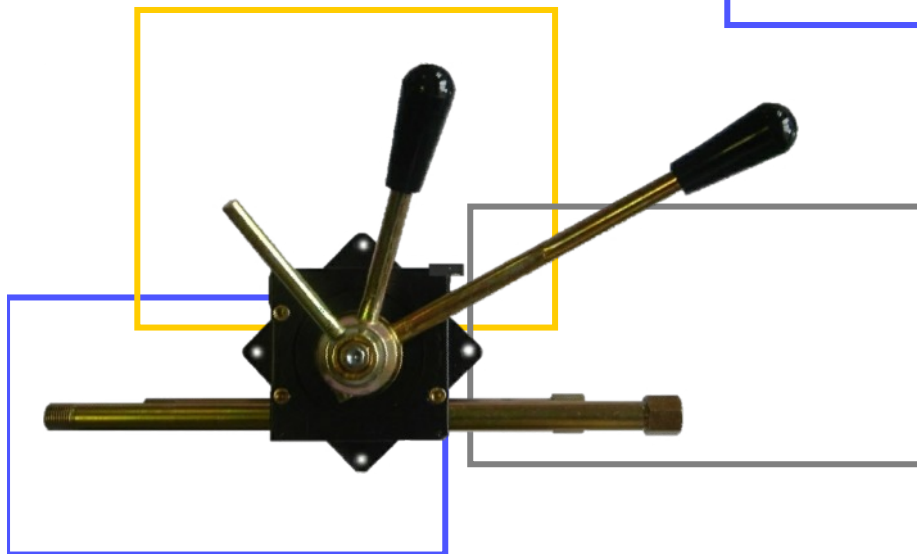
### **SERIE 901**



Mod. E901.1



Mod. E901.2



Mod. E901.3

#### *GENERAL CHARACTERISTICS*

Very resistant construction-waterproof-lateral fixing

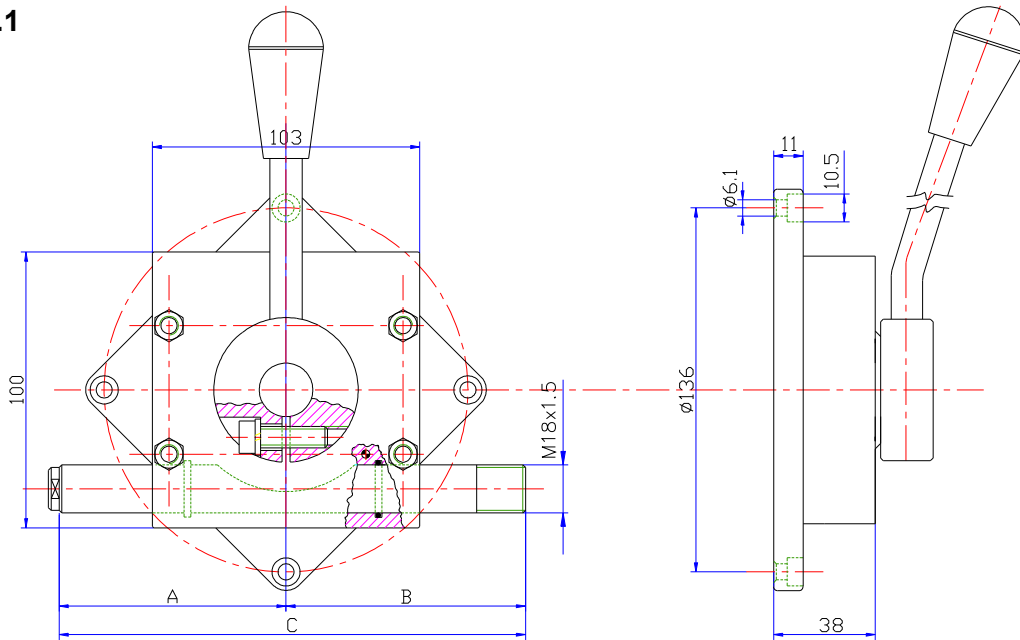
Possibility to connect to both left and right side

# CONTROLS

## TECHNICAL FEATURES

**System with one lever**

**Mod. 901.1**

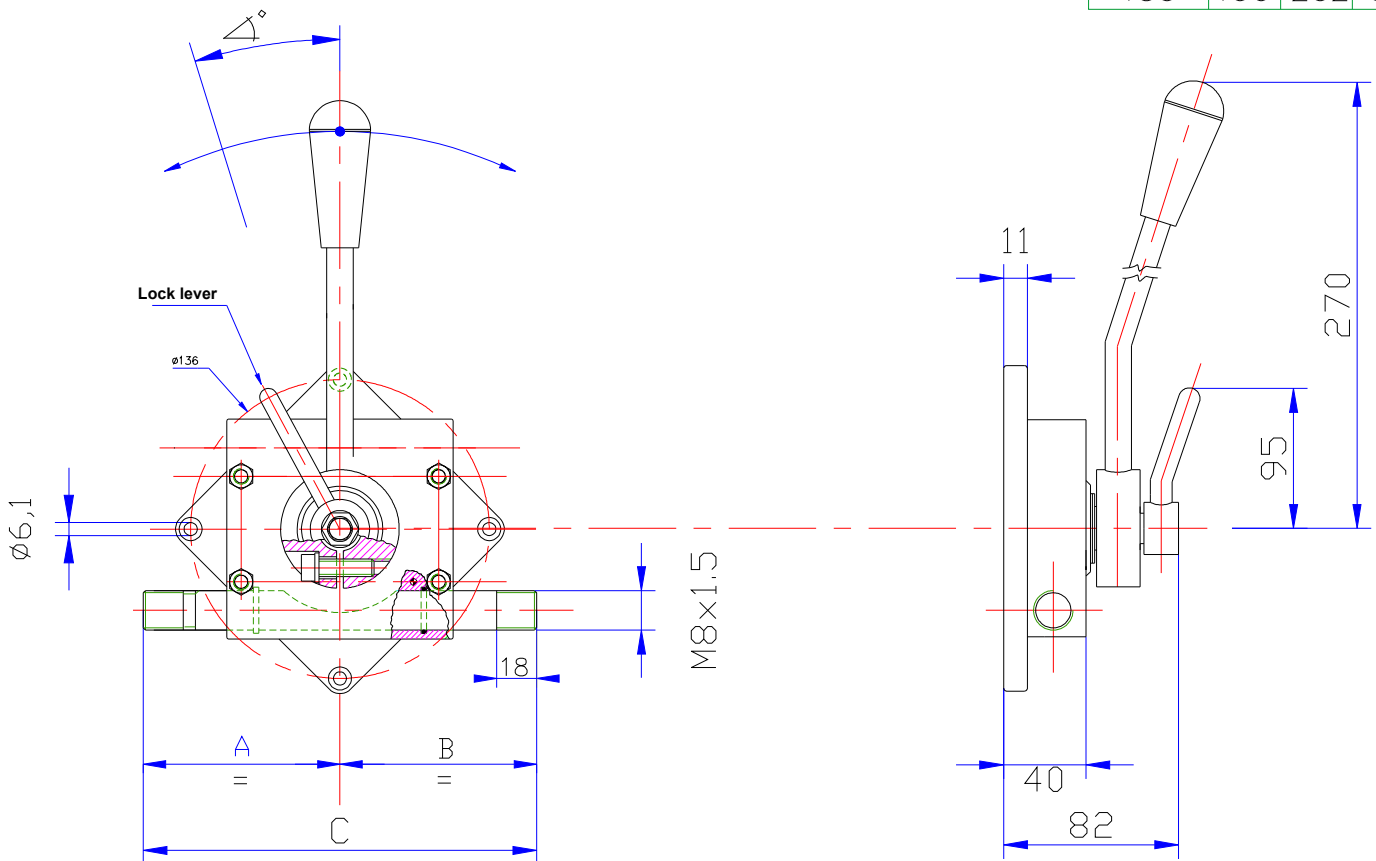


**Mod. 901.2**

**System with one lever with lock lever**

*Table for strokes for all models series E900.*

Corsa	A	B	C
50	90	110	200
70	110	130	240
100	140	152	292
125	165	177	342
150	190	202	392



# CONTROLS

## TECHNICAL FEATURES

Mod. 901.3

With two levers and lock lever

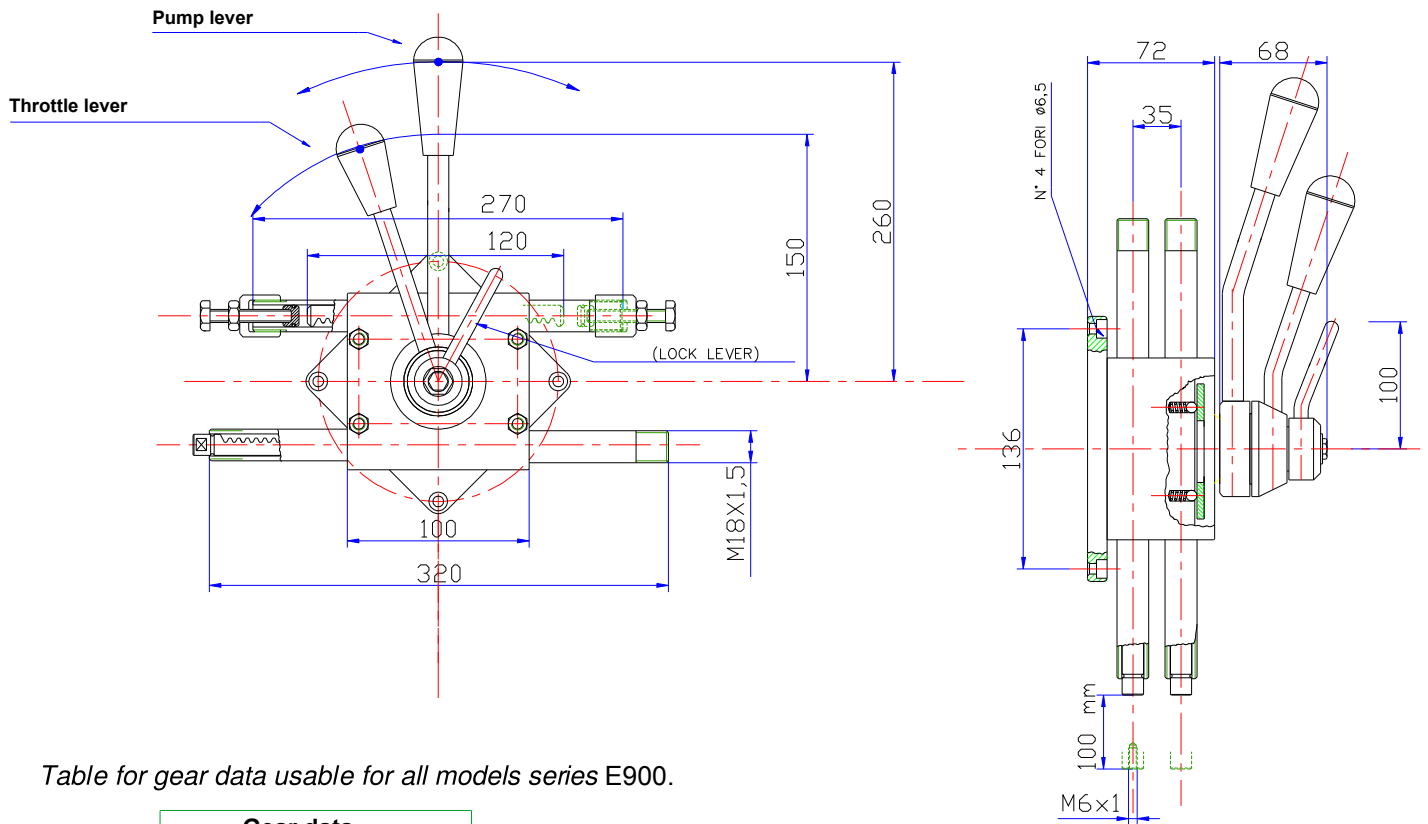
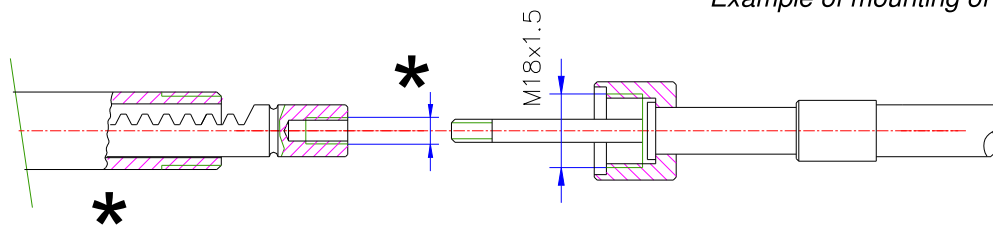


Table for gear data usable for all models series E900.

Gear data	
Dp	72
Z	48
Mod	1,5
Rot. leva	C=1mm $\angle = 1,6^\circ$

## MOUNTING

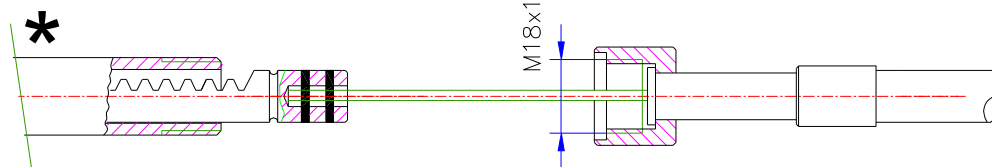
Example of mounting of cable



M6x1 o in alternativa M8x1,25

\* M6x1 o M8x1,25

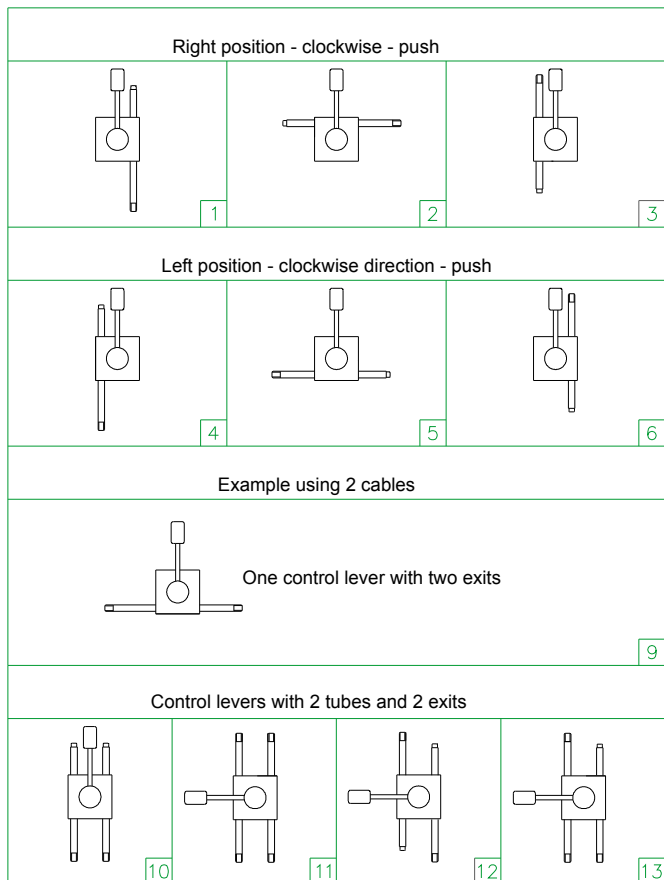
Example of mounting of cable



# CONTROLS

## INSTALLATION FEATURES

### INSTALLATION



Universal boxes of series E900 can be used like movement transmission device with 1, 2, 3 or 4 exits (ex. A) and like receiver device (ex C and D).

Universal boxes E900 used like movement transmission device, can be a single lever, a single lever with lock lever, or a dual lever system with lock lever.

In the next picture there are some of the many assembly and transmission possibility that can be done with boxes of series E900.

### COMBINATIONS

