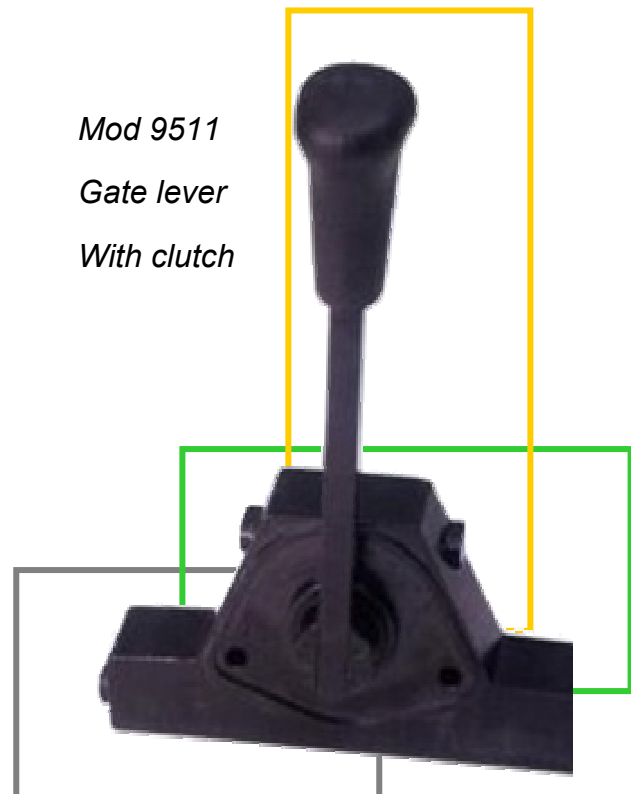


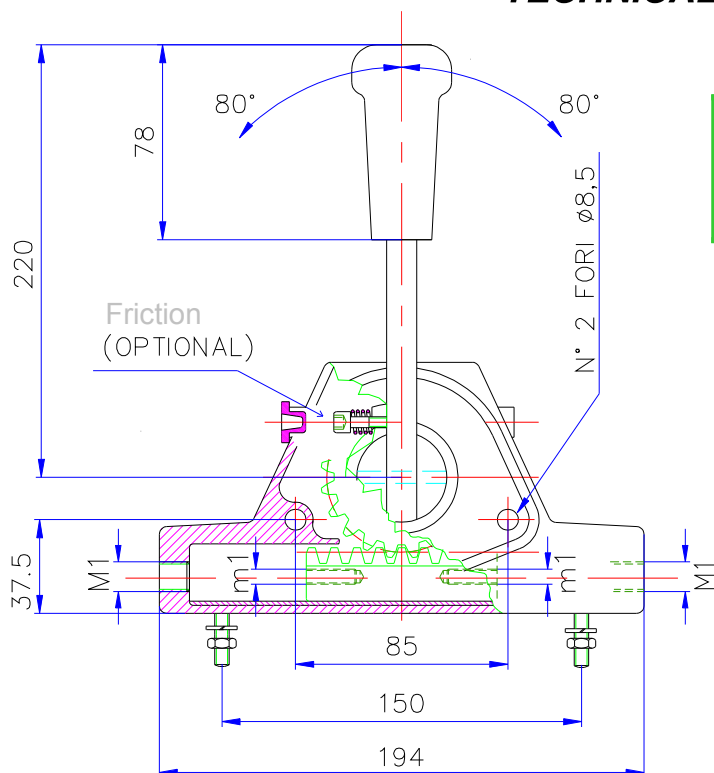
CONTROLS

CONTROL LEVER FOR HYDRAULIC DISTRIBUTOR SERIE 9500



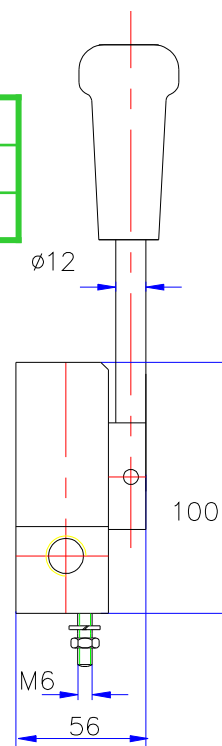
CONTROLS

TECHNICAL FEATURES



Maxstroke	85 mm
Workload	120 kg
Lever ratio	7,3

M1	m1
M10x1	M6x1
M12x1	M6x1
M16x1,5	M8x1,25



MOUNTING SAMPLES

Numbers in table below refers to mounting and cable exits

