

CONTROLS

MECHANICAL PEDALS

Throttle pedals series are intended for medium and heavy duty trucks , construction & farm equipment and buses.

Both models can be used in conjunction with any hand throttle lever.

A torsion spring is incorporated for idle position return.

Environmental contamination is minimized by a plastic bellow installed between the pad and mounting base.

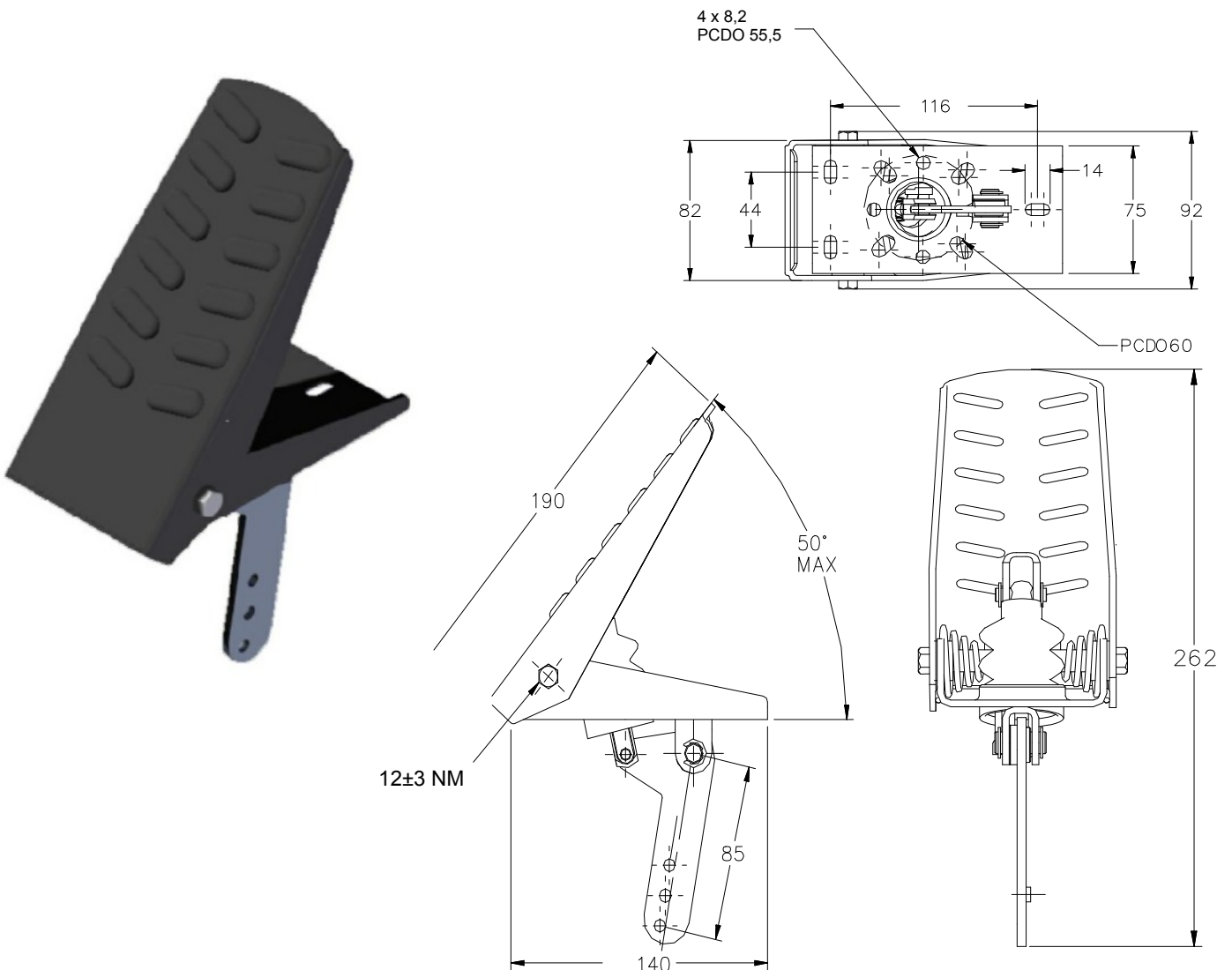
Idle pedal position and throttle travel is adjustable to meet user requirements.

The mechanism can be inserted through a drilling mask in the floor, and can rotate 360° ,

and down 30° maximum from horizontal to optimize throttle cable routing.

Metal sheet pedal serie, 1230

Metal Sheet pedal series 1230



CONTROLS

MECHANICAL PEDALS

Die cast pedal with hand throttle control connection series 1220

Die cast pedals series 1210

