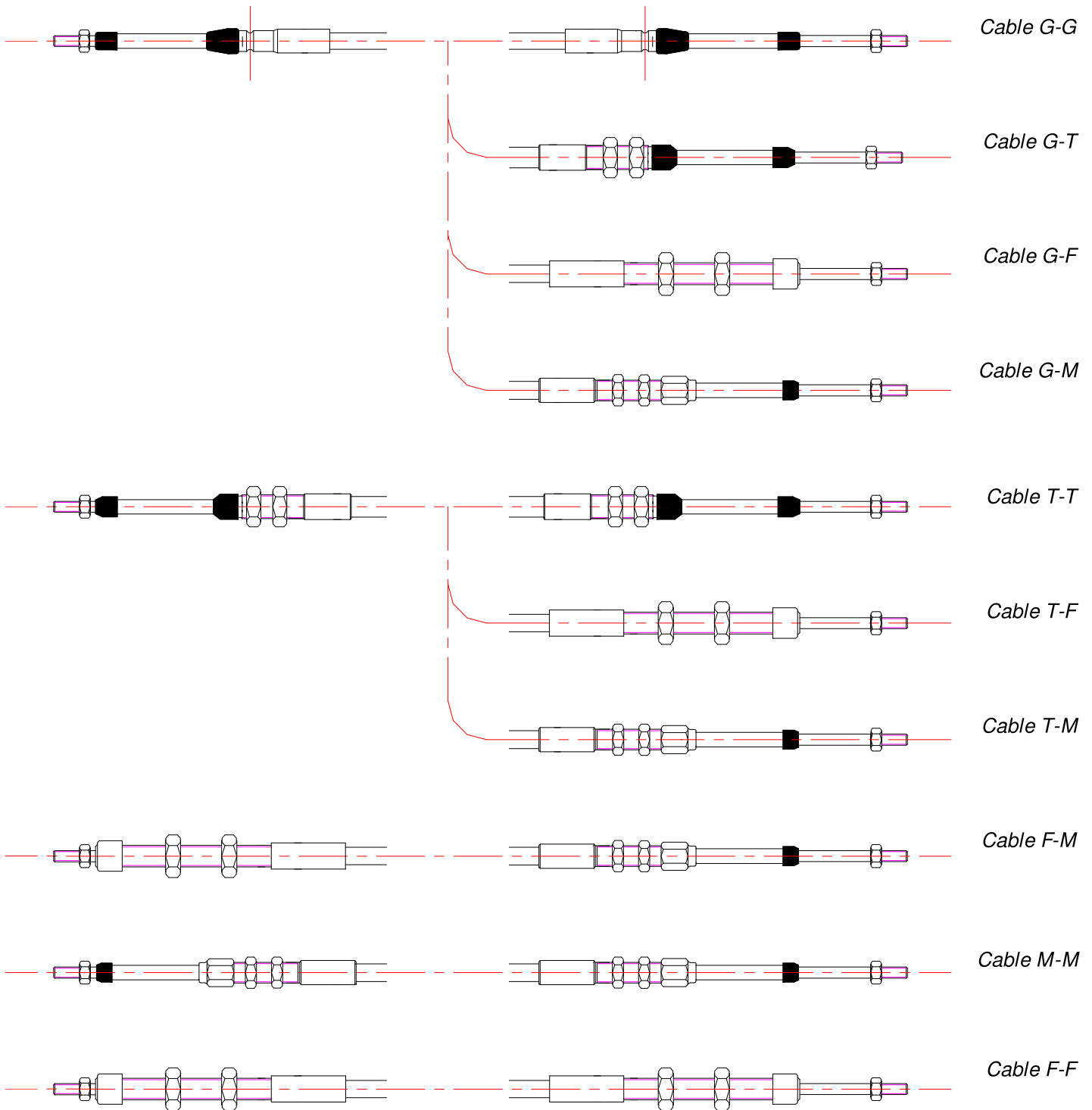


CABLES

PUSH PULL CABLES



CABLES

GENERAL FEATURES

Main feature of push-pull cables is the flexibility which makes them suitable for a lot of different applications.

They can be used in the agricultural field, the industrial field, the marine field and in the automotive field.

Principally, a push-pull cable is made by an external conduit, a wire which slides inside the conduit and by two ending parts that allow to joint the cable on its extremities.

Materials which are used to make a cable are selected according to the application and the environmental condition.

Metallic parts are made of stainless steel for marine applications and steel a zinc plated iron for industrial and agricultural applications.

In this catalogue are presented our standard cables but with them there are also a lot of special cables, and our technicians are able to guide to find the best solution for your application.

TECHNICAL FEATURES

Type of cable	Typical application field (*)	Max push load (N)	Max pull load (N)	Minimum bending radius (mm)
E2	●	300	800	100
E3	● ●	400	1000	120
V4	● ●	500	1200	120
V5	● ●	700	1500	140
007	● ● ●	800	2000	150
007 E	● ●	800	1800	150
V6	● ●	900	2000	160
V8	● ●	1400	3000	200

(*) Typical application field

Legend

- Agricultural.
- Industrial.
- Marine.

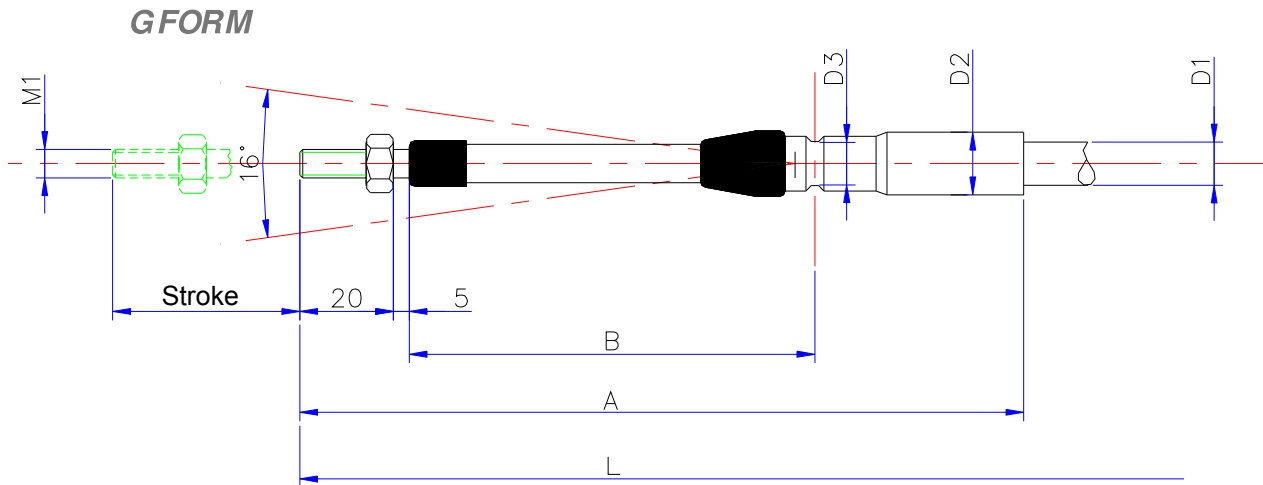
Important

Push-pull tests are made in "normal" environmental condition.

The results could be changed according to the environmental condition in which cable works.

CABLES

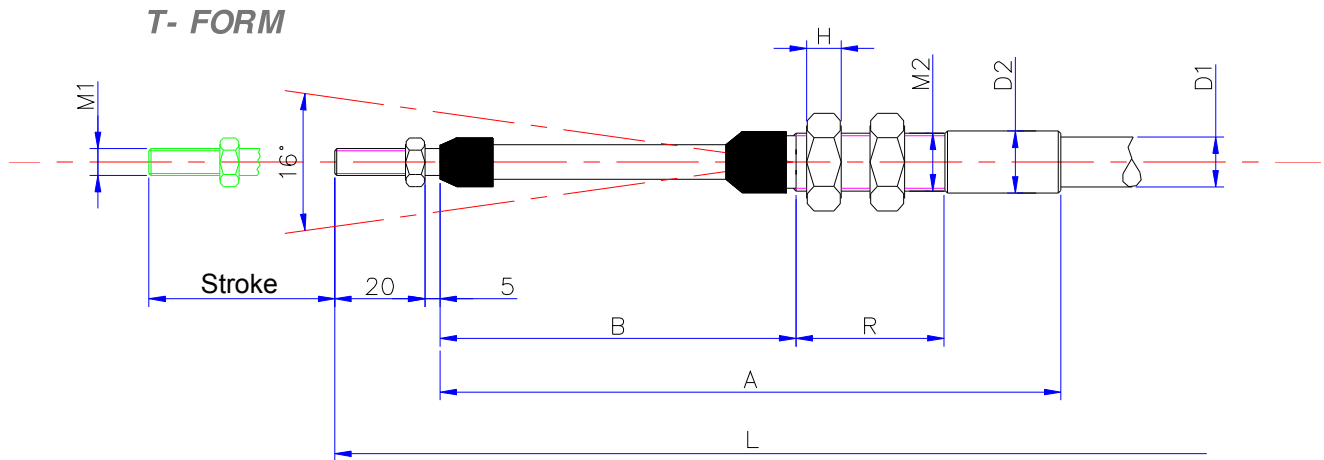
TECHNICAL FEATURES



Type	Stroke	A	B	D1	D2	D3	M1	Colour
E2	50	151	88	8		6.3	M5x0,8 10/32	Black
	75	176	113					
	100	201	138					
	125							
E3	50	151	88	8.5	11	6.3	M5x0,8 10/32	Black
	75	176	113					
	100	201	138					
	125							
V4	50	151	88	8	11	6.3	M5x0,8	Yellow
	75	176	113					
	100	201	138					
	125							
V5	50	163	88	10			M6x1	Yellow
75	188	113						
007	100	213	138	9.5	15	10.5	M6x1	Black
	125	238	163					
V6	150	263	188	11.5				Yellow
	200							
V8	50	167	95	14	20	12.5	M8x1,25	Yellow
	75	192	120					
	100	217	145					
	125	242	170					
	150	267	195					
	200							

CABLES

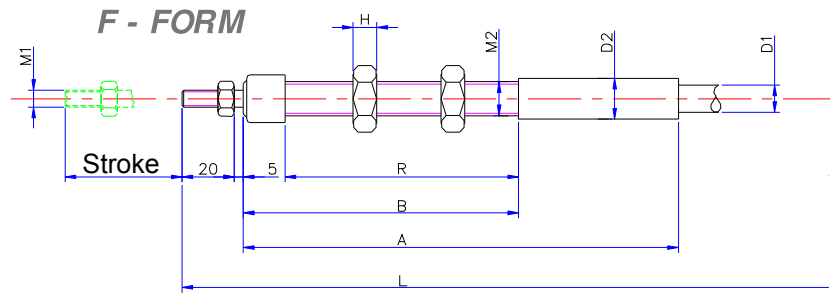
TECHNICAL FEATURES



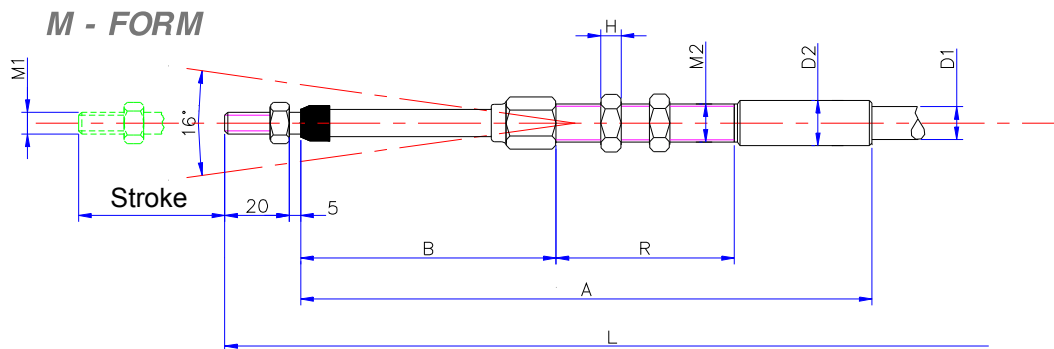
Type	Stroke	A	B	R	H	D1	D2	M1	M2	Colour
E3	50			30	5	8	11	M5x0,8 10/32	M11X1 M12X1,75	Black
	75									
	100									
	125									
V4	50	143	88	30	5	8	11	M5x0,8	M11X1	Yellow
	75	168	113							
	100	193	138							
	125									
V5	50	160	85	37	8	10	15	M6X1	M14X1 M16X1,5	Yellow
75	185	110	9.5			Black				
007	100	205	135			11.5				Yellow
V6	150	260	185							
	200									
V8	50	196	91	47	8	14	20	M8x1,25	M16X1,5	Yellow
	75	221	116							
	100	246	141							
	125	271	166							
	150	296	191							
	200									

CABLES

TECHNICAL FEATURES



Type	Stroke	A	B	R	H	D1	D2	M1	M2	Colour
V4	50	112	65	52	5	8	11	M5x0,8 (M6x1)	M10X1	Yellow
	75	137	90	77						
	100	162	115	102						
V5	50	134	79	68	8	10	15	M6x1 (M7x1)	M12X1	Yellow
75	159	104	93	Black						
007	100	184	129	118						Yellow
V6	125	209	154	143	8	11,5	15	M8X1,25 (M10X1,5)	M16X1,5	Yellow
	150	234	179	168						
V8	50	132	76	59	8	14	20	M8X1,25 (M10X1,5)	M16X1,5	Yellow
	75	157	101	84						
	100	182	126	109						
	125	207	151	134						
	150	232	176	159						

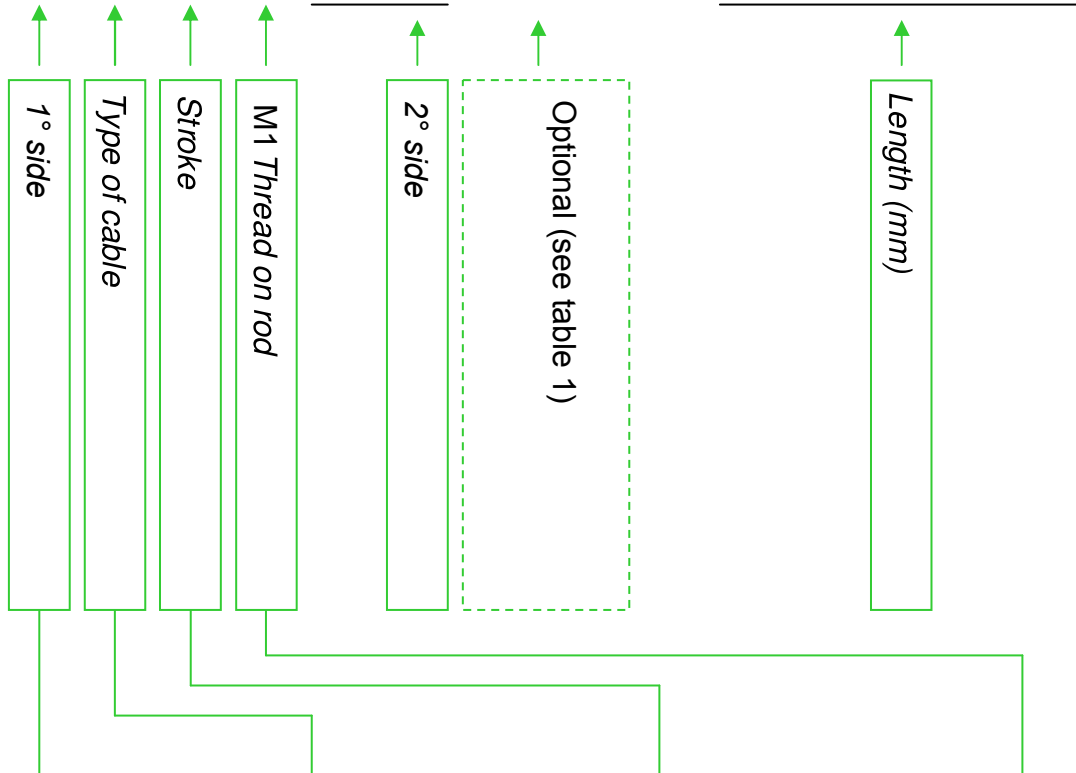


Type	Stroke	A	B	R	H	D1	D2	M1	M2	Colour				
V5	50	166	94	38	8	10	15	M6X1	M12X1	Yellow				
	75	191	119			9,5				Black				
007	100	216	144			11,5				Yellow				
V6	125	241	169			60	8			14	20	M8X1,25	M16X1,5	Yellow
	150	266	194											
V8	50	223	102											
	75	248	127											
	100	273	152											
	125	298	177											
	150	323	202											

CABLES

ORDER CODES

ORDER CODE



Cable form	Reference
G	1
T	2
F	3
M	4

Type of cable	Reference
E2	2
E3	3
007	7
V4	4
V5	5
V6	6
V8	8

Stroke	Reference
50	2
75	3
100	4
125	5
150	6
200	8

Thread on rod	Reference
10/32 UNF	1
M12x1,5	2
¼ UNF	3
M5x0,8	5
M6x1	6
M7x1	7
M8x1,25	8

Note

- If the cable has two different endings, the one which has the smallest id-number, takes the first position (a).
- Position b-b. If the second side of the cable (position b-b) has only one id-number, the second space will be erased.
- Position c. If the cable is an 007 economic, you have to change the "-" in "**".

CABLES

ORDER CODES

CODE SAMPLES

Type	1° side	2° side	Hub	Code
E2	G	M12x1,75	M5	12_502-L
	G	M12x1,75	10/32	12_102-L
E3	G	M11x1	M5	13_502-L
	G	M11x1	10/32	13_102-L
	G	M12x1,75	M5	13_502-2-L
	G	M12x1,75	10/32	13_102-2-L
V4	G	M11x1	M5	14_502-L
V5	G	M14x1	M6x1	15_602-L
V6	G	M14x1	M6x1	16_602-L
V8	G	M16x1,5	M8x1,25	18_802-L
007 normal	G	M14x1	M6x1	17_602-L
007 normal	G	M16x1,5	M6x1	17_602-6-L
007 economic	G	M14x1	M6x1	17_602*L
007 economic	G	M16x1,5	M6x1	17_602-6*L
V4	G	T	M5x0,8	14_502-L
V5	T	F	M6x1	25_603-L
V5	T	M	M6x1	25_604-L
007 normal	G	F	M6x1	17_603-L
007 normal	G	M	M6x1	17_604-L
007 economic	G	F	M6x1	17_603*L
007 economic	G	M	M6x1	17_604*L
V6	G	T	M6x1	16_602-L
V6	G	M	M6x1	16_604-L
V8	G	T	M8x1,25	18_802-L
V8	T	M	M8x1,25	28_804-L

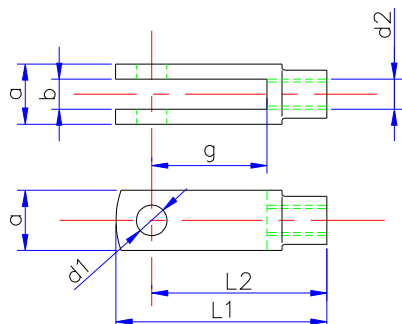
Note

- Please replace “_” with the stroke of the cable. For the correspondence between stroke and number to insert, please consult the former page.
- Replace “L” with the length of the cable in mm . Ex: 01750 (mm)

CABLES

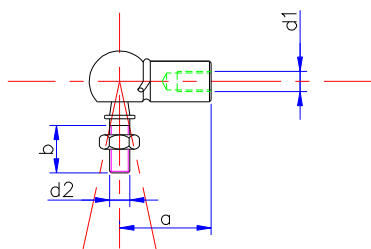
ACCESSORIES

CLEVIS



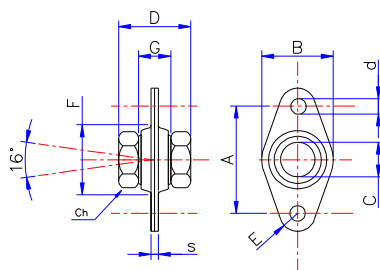
Type	b	d1	d2	g	a	L1	L2	Code for clevis	Code for clevis+pin
5x10	5	5	M5	10	10	26	20	D-0099.01.01.01	0-0099.01.00.01
			M6					D-0099.01.01.02	0-0099.01.00.02
5x20	5	5	M5	20	10	36	30	D-0099.01.02.01	0-0099.01.00.03
			M6					D-0099.01.02.02	0-0099.01.00.04
6x12	6	6	M6	12	12	31	24	D-0099.01.03.01	0-0099.01.00.06
			M7					D-0099.01.03.02	0-0099.01.00.07
6x24	6	6	M5	24	12	43	36	D-0099.01.04.01	0-0099.01.00.08
			M6					D-0099.01.04.03	0-0099.01.00.10
			M7					D-0099.01.04.05	0-0099.01.00.12
8x16	8	8	M6	16	16	42	32	D-0099.01.05.01	0-0099.01.00.15
			M7					D-0099.01.05.02	0-0099.01.00.16
8x32	8	8	M6	32	16	58	48	D-0099.01.06.01	0-0099.01.00.17
			M7					D-0099.01.06.02	0-0099.01.00.19
			M8					D-0099.01.04.05	0-0099.01.00.21
10x20	10	10	M10	20	20	52	40	D-0099.01.07.01	0-0099.01.00.22
10x40	10	10	M8	40	20	72	60	D-0099.01.08.01	0-0099.01.00.25
			M10					D-0099.01.08.02	0-0099.01.00.26

BALL JOINT



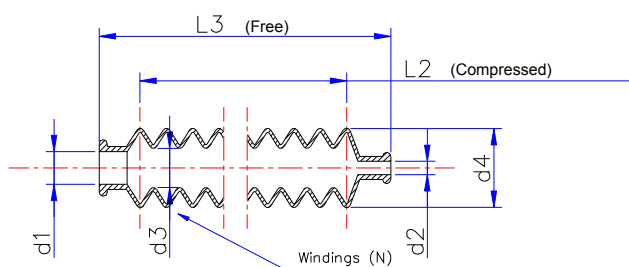
Type	a	i	d1	d2	c	b	Code
AS8	22	10	M5	M5	9	7	D-0099.04.01.00
AS10	25	12	M6	M6	11	8	D-0099.04.03.00
AS13	30	14	M6	M8	13	12	D-0099.04.07.02
	30	14	M7	M7	13	12	D-0099.04.06.00
	30	14	M7	M8	13	12	D-0099.04.07.01
	30	14	M8	M8	13	12	D-0099.04.07.00
AS16	35	16	M10	M10	16	14	D-0099.04.09.00

BULKHEAD SWIVEL



Type	A	b	C	D	F	G	s	Ch	Code
55	30	5.2	10.2	21	20	12	3	14	0-0099.03.00.01
70	40	6.2	12.2	32	25	16	4	17	0-0099.03.00.04
95	52	8.2	16.2	38	34	22	5	25	0-0099.03.00.07
125	56	8.2	18.2	43	36	25	5	27	0-0099.03.00.09
125	56	8.2	18.2	43	36	25	14	27	0-0099.03.00.12
160	60	10.2	22.2	47	40	27	16	32	0-0099.03.00.14

BELLOW



L3	L2	N	d1	d2	d3	d4	Code
147	60	16	10	4	12	25	D-0099.05.10.00
90	58	8	7	4	11	22	D-4413995
95	65	17	8	6.5	12	21	D-0099.05.01.00